



SCALE 1/16" = 1'-0"

	DATE	REVISION
BG	DESIGNED BY	
RF	PROJECT MANAGER	
DAS/DWG	PROJECT ARCHITECT	
DAS	DATE	
FB	DESK	

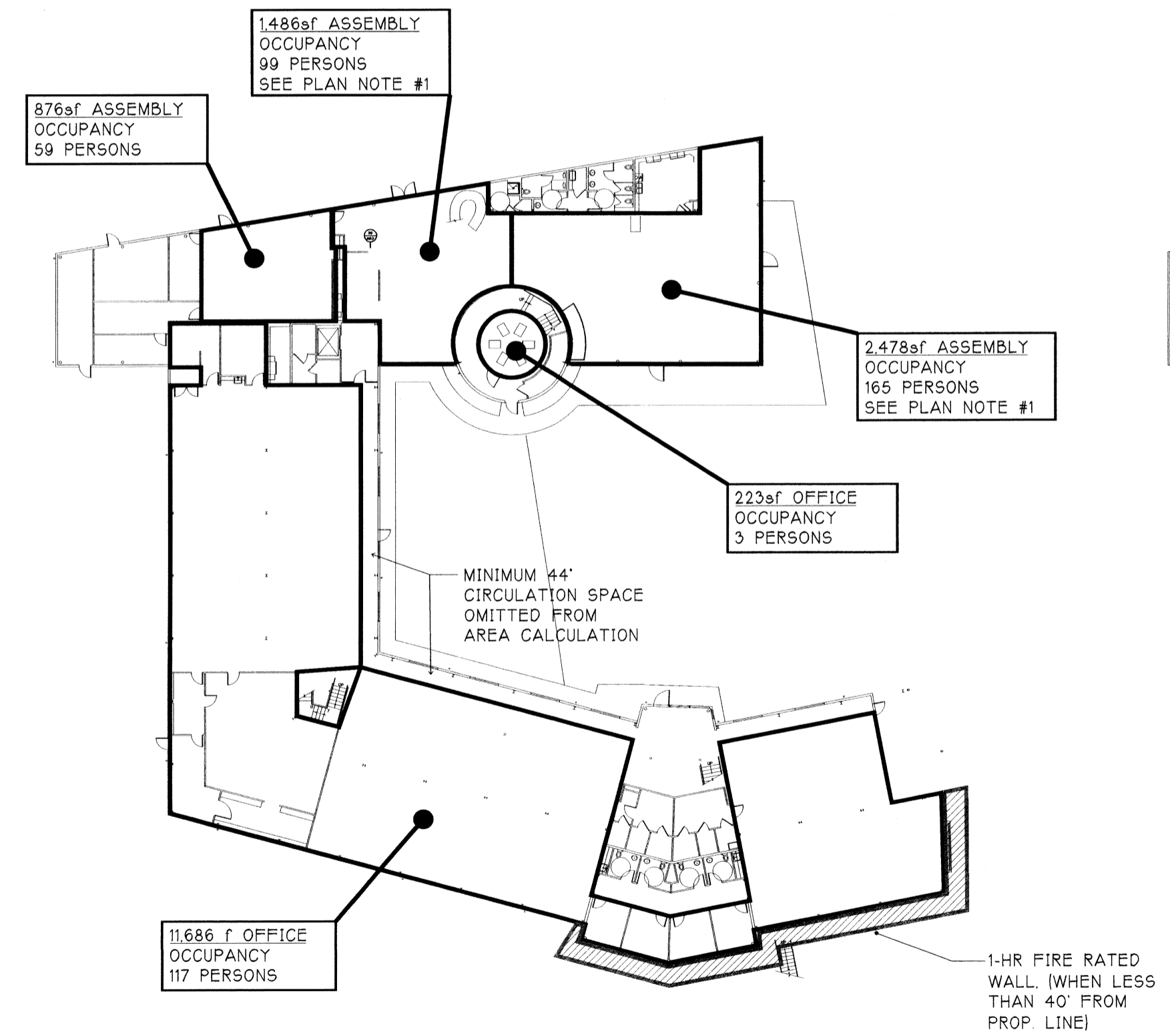
2029 REGISTERED ARCHITECT  
*Thomas D. Enrich*  
THOMAS D. ENRICH  
STATE OF WASHINGTON

BY BUILDING CODE  
OCCUPANCY ANALYSIS

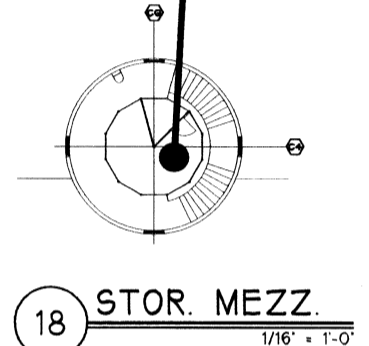
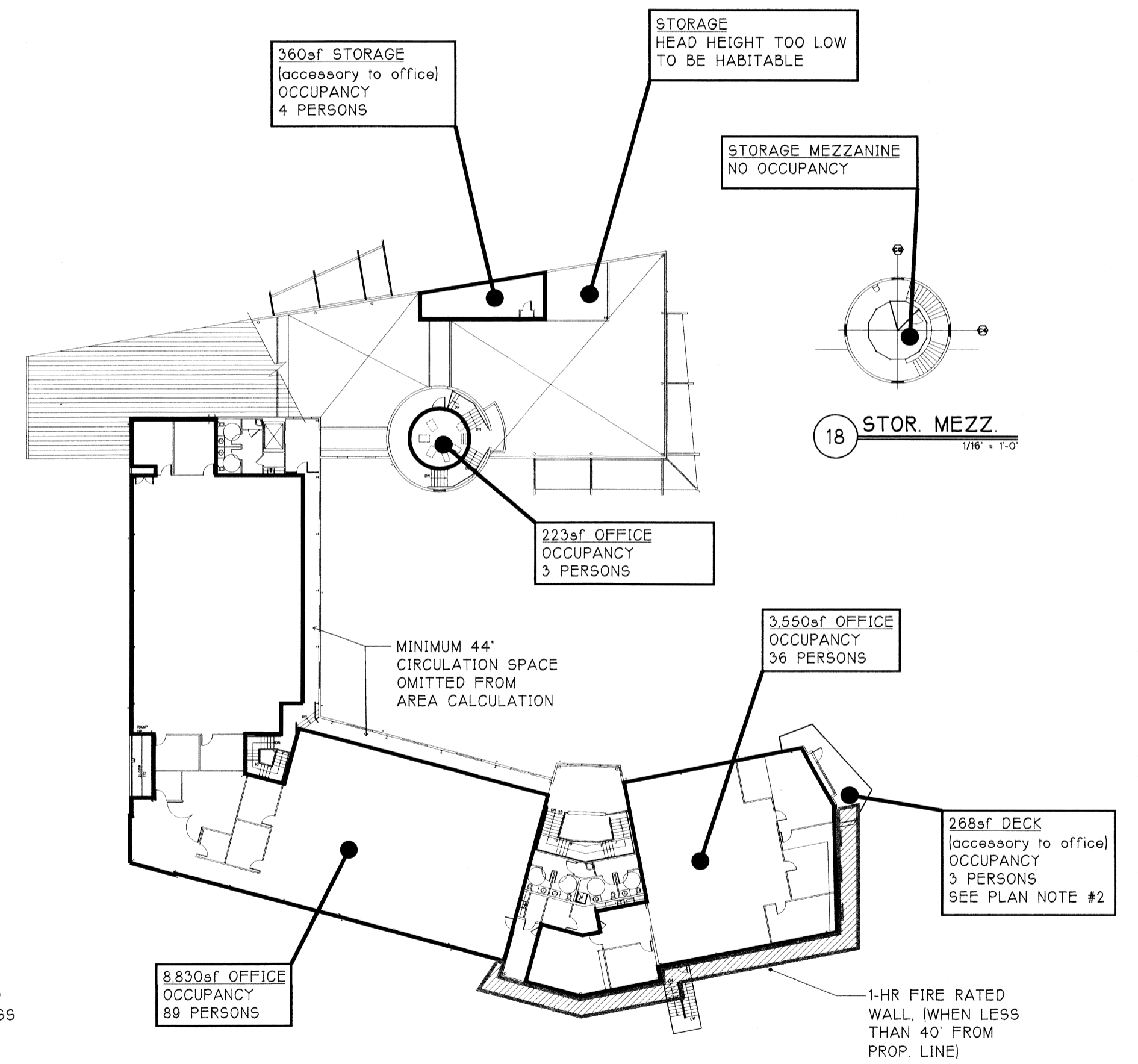
98060.05  
PROJECT NO.  
MAY 18, 1999  
DATE  
E:\98060\DD\A1-0  
COPYRIGHT ALL RIGHTS RESERVED

**A1.0** CONSTRUCTION  
PERMIT NO.

NOTE:  
OCCUPANCY COUNTED FOR ROOM  
ONLY AND IS NOT ADDED AS PART  
OF TOTAL BUILDING LOAD



25 FIRST FLOOR PLAN 1/16" = 1'-0"



28 SECOND FLOOR PLAN 1/16" = 1'-0"