



SCALE 1/4"=1'-0"

5/18/99 CONSTRU SET

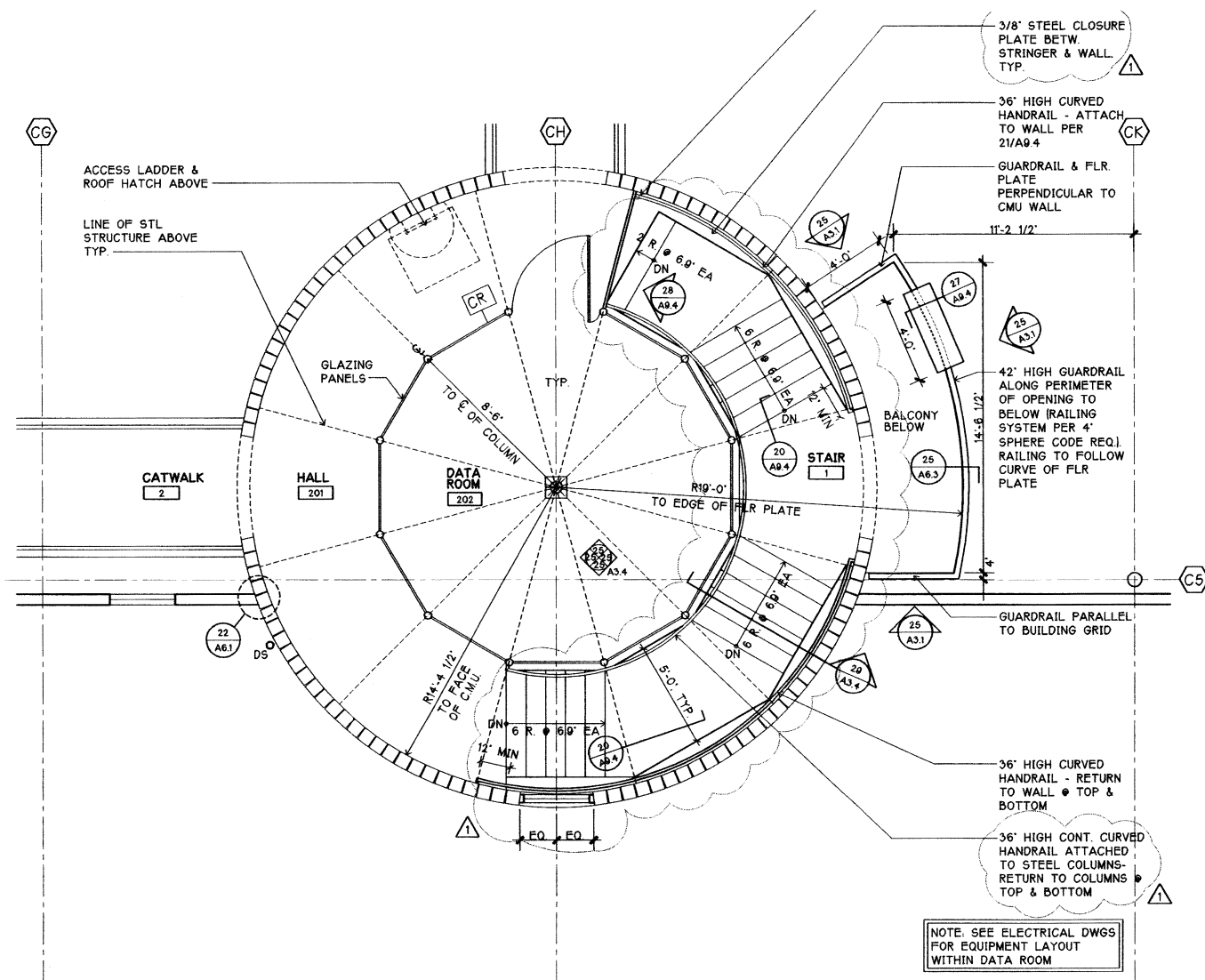
BG
OWNER
RF
PROJECT MANAGER
DAS/DWG
PROJECT ARCHITECT
KT
DRW
FB
CHK

2029 REGISTERED ARCHITECT
THOMAS D. EMRICH
STATE OF WASHINGTON

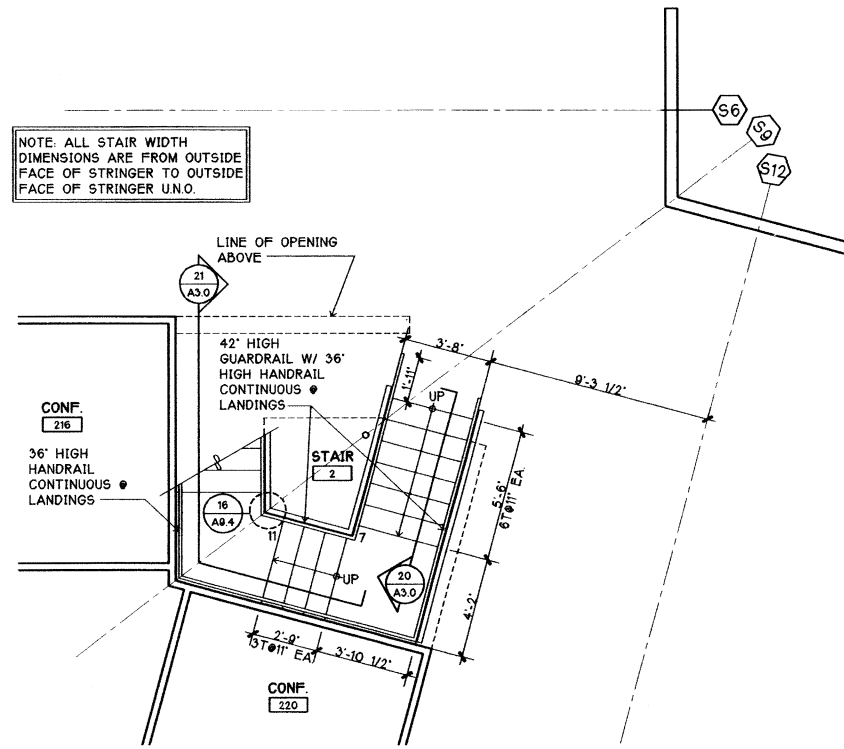
ENLARGED STAIR & ELEVATOR PLANS/ SECTIONS

98060.05
MAY 18, 1999
E:\98060\CD\A3-0
DWG FILE NAME

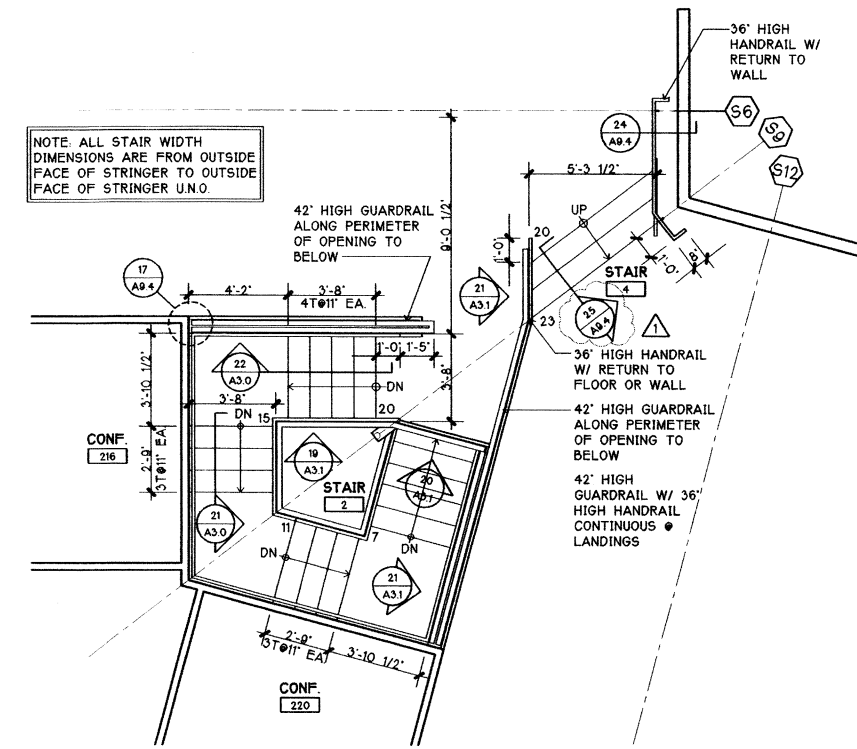
A3.0 CONSTRUCTION SET



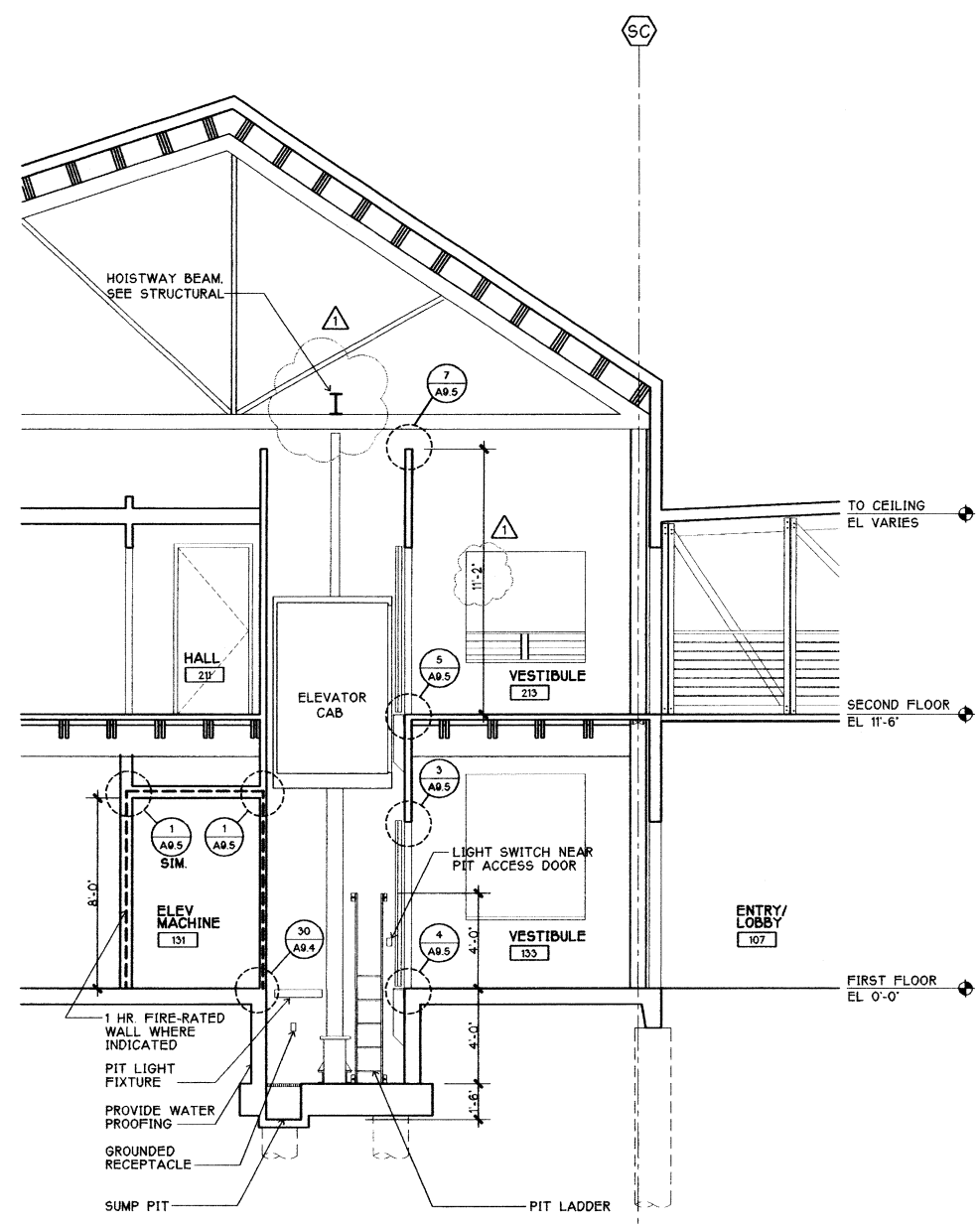
7 DATA TOWER SECOND FLR. PLAN 1/4" = 1'-0"



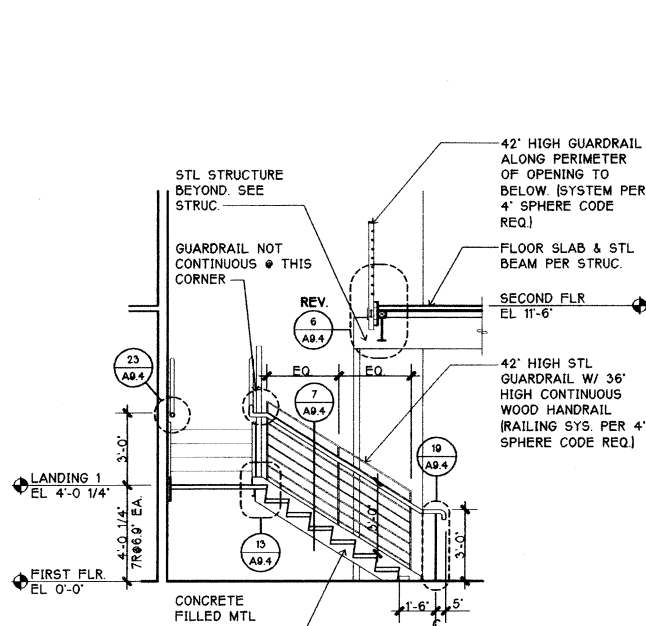
9 STAIR 2 - FIRST FLR. PLAN 1/4" = 1'-0"



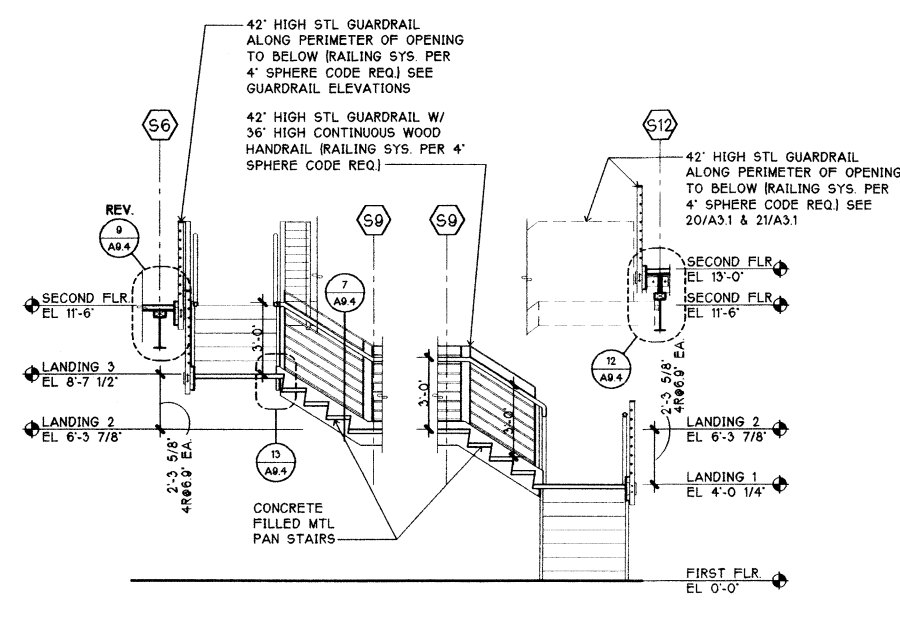
11 STAIR 2 - SECOND FLR. PLAN 1/4" = 1'-0"



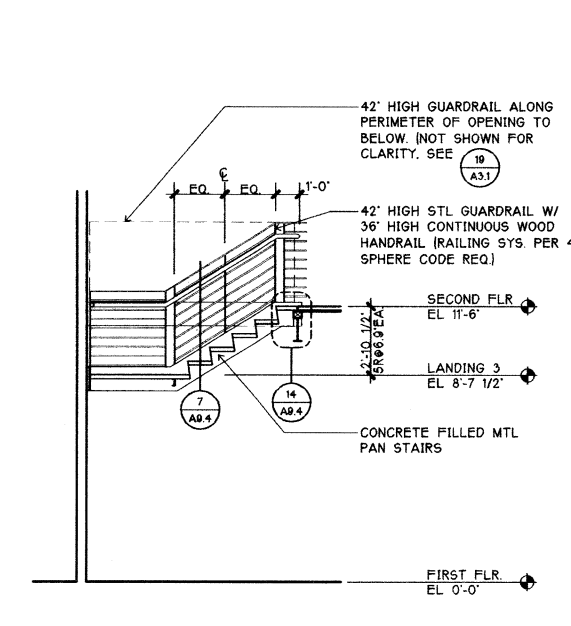
25 ELEVATOR 1 - SECTION 1/4" = 1'-0"



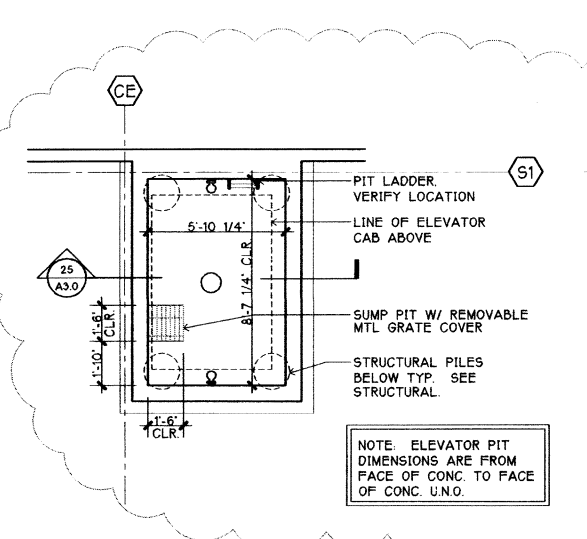
20 STAIR 2 - SECTION 1/4" = 1'-0"



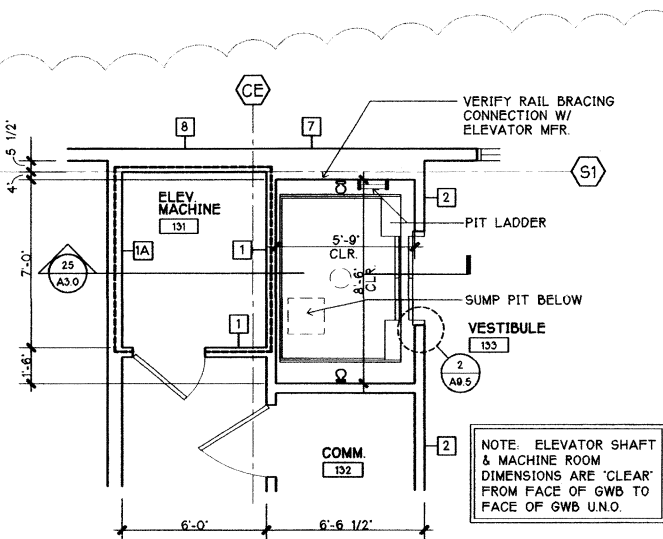
21 STAIR 2 - SECTION 1/4" = 1'-0"



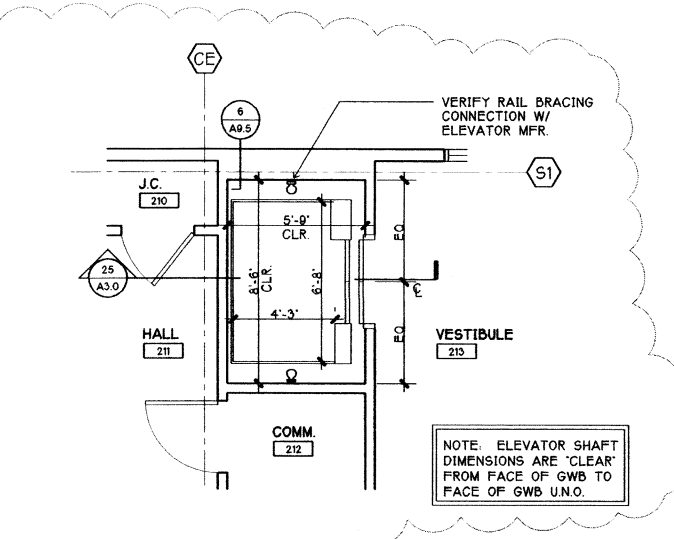
22 STAIR 2 - SECTION 1/4" = 1'-0"



26 ELEVATOR PIT PLAN 1/4" = 1'-0"



27 FIRST FLR ELEVATOR PLAN 1/4" = 1'-0"



28 SECOND FLR ELEVATOR PLAN 1/4" = 1'-0"