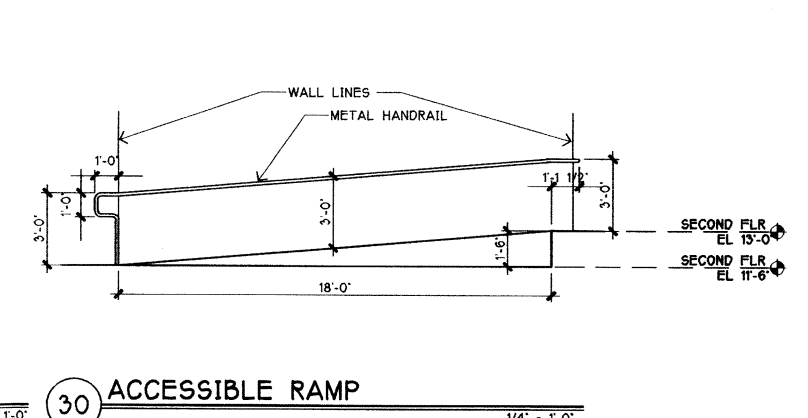
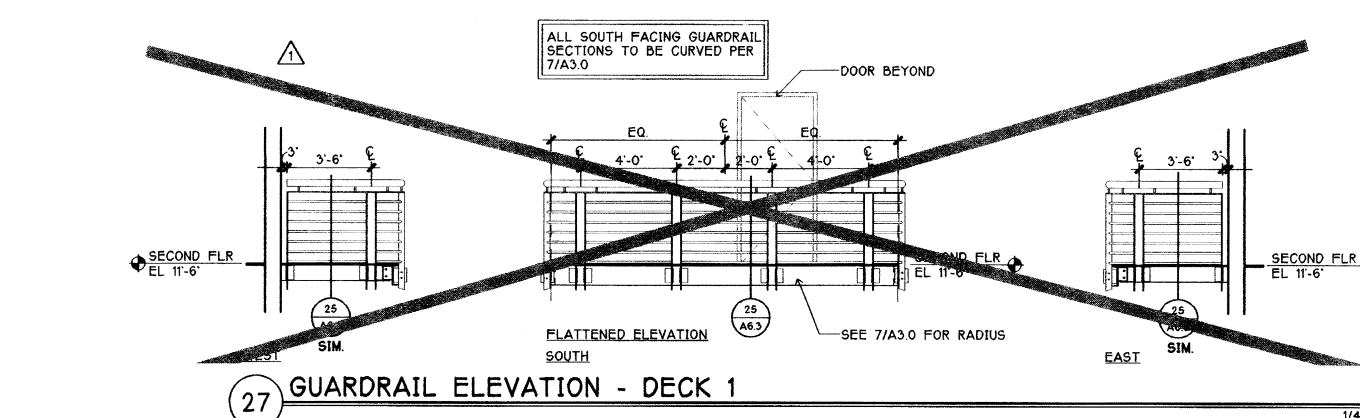
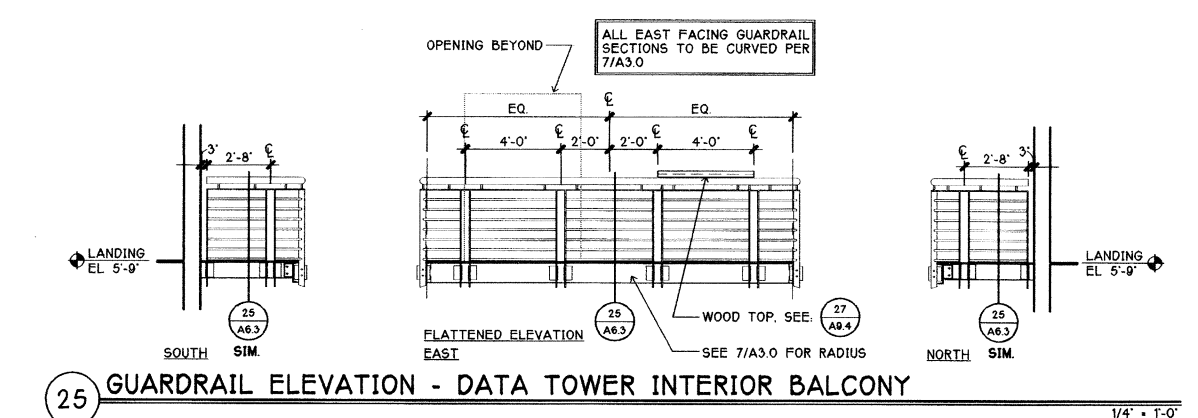
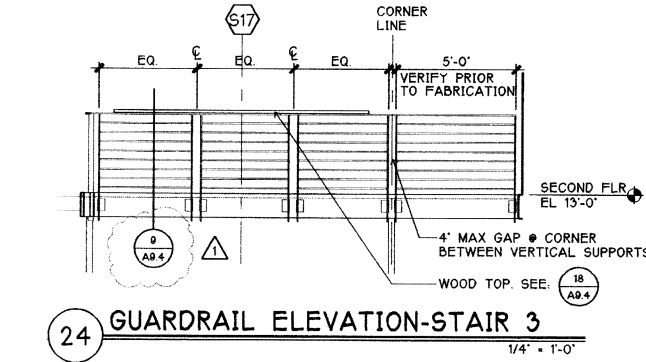
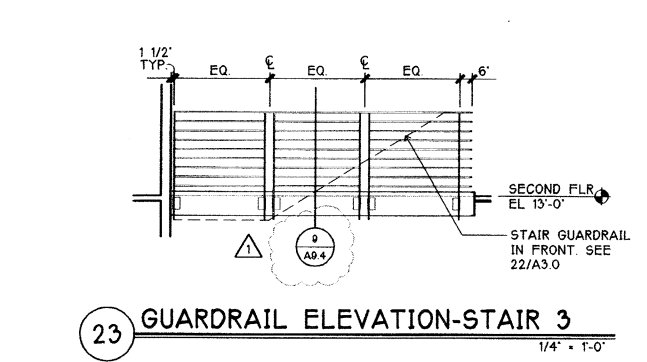
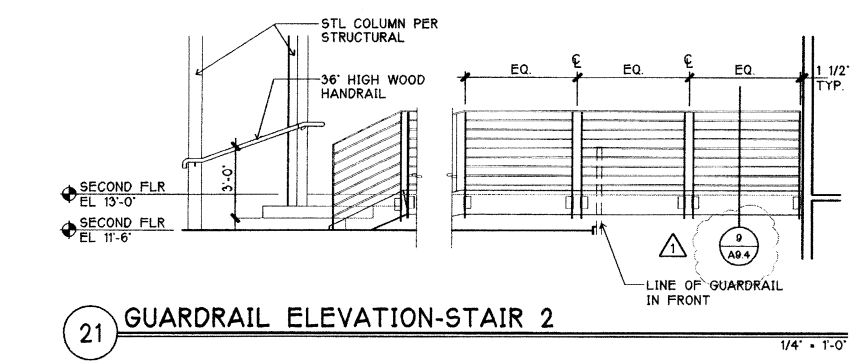
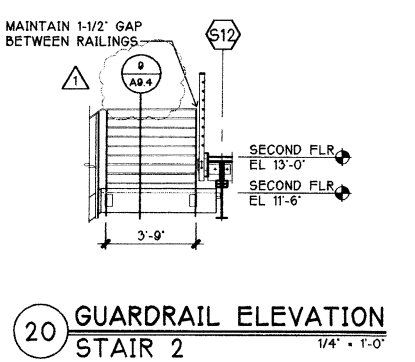
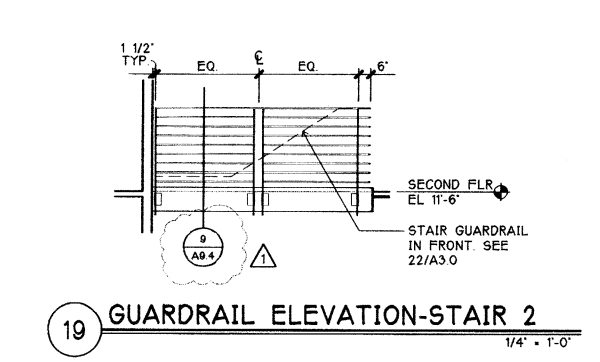
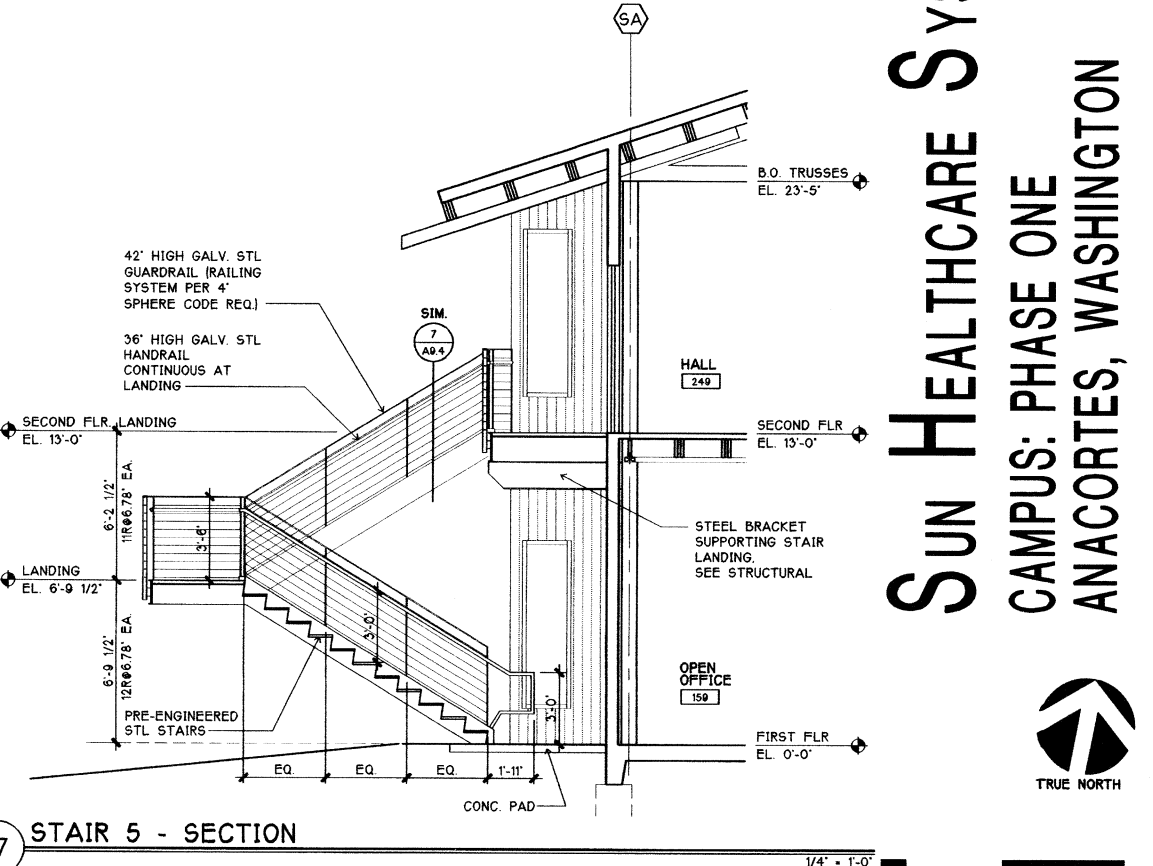
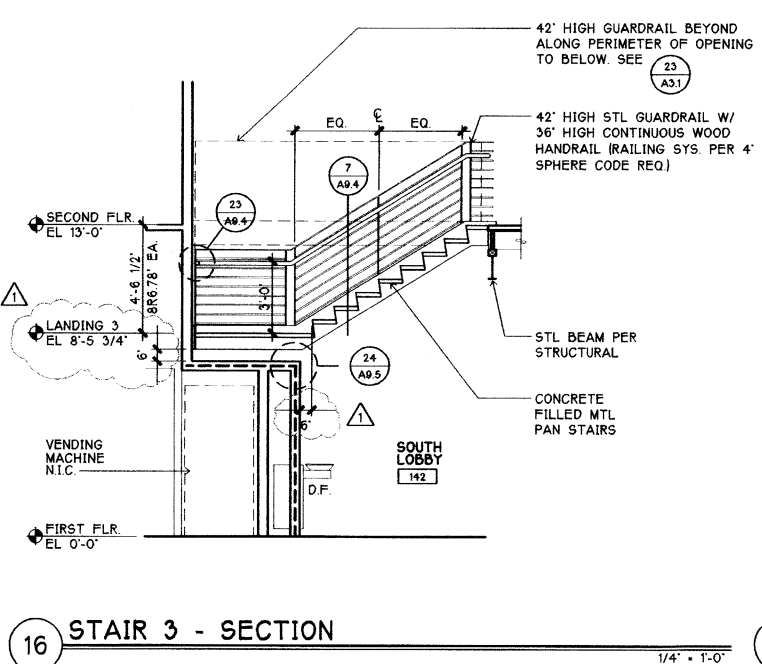
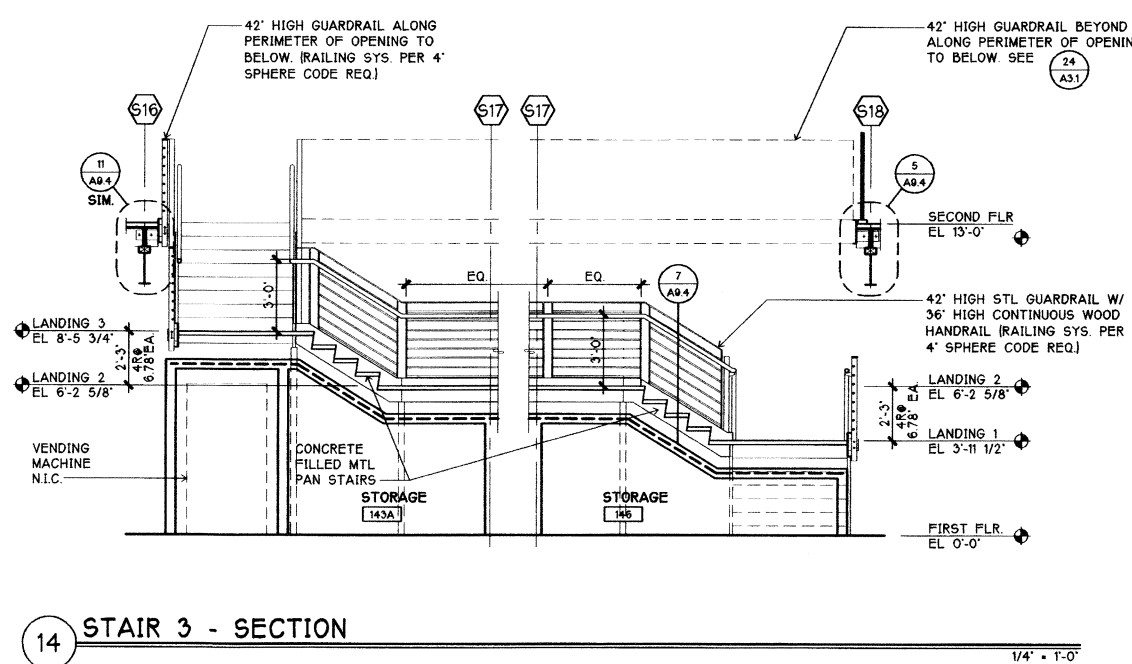
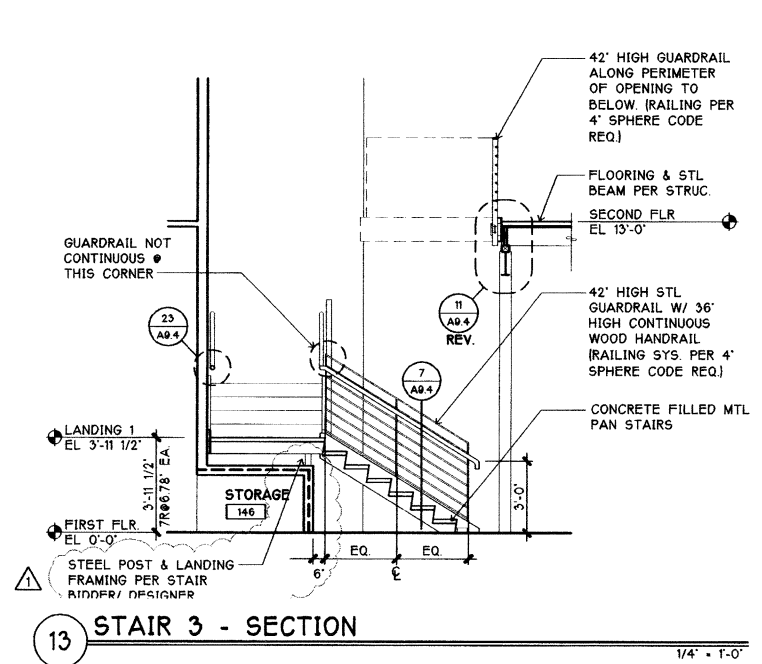
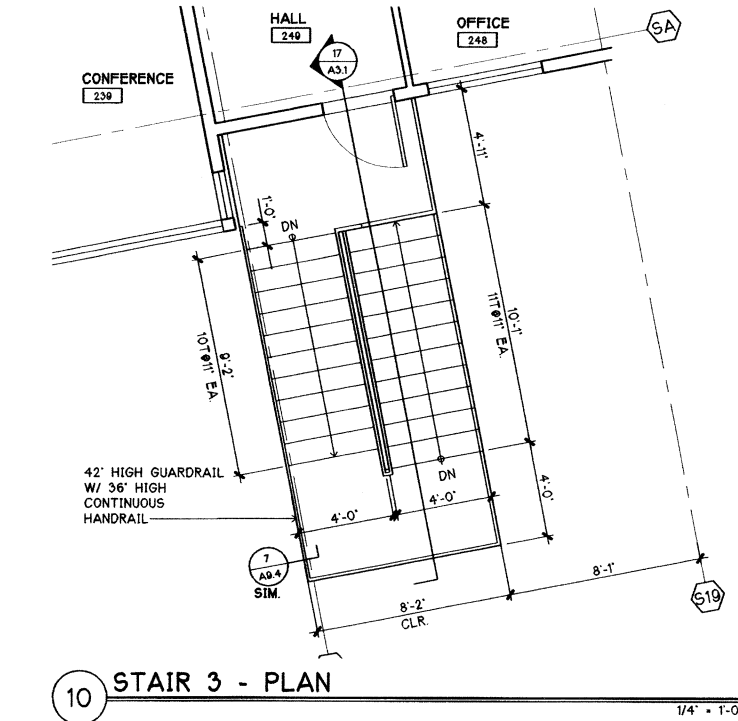
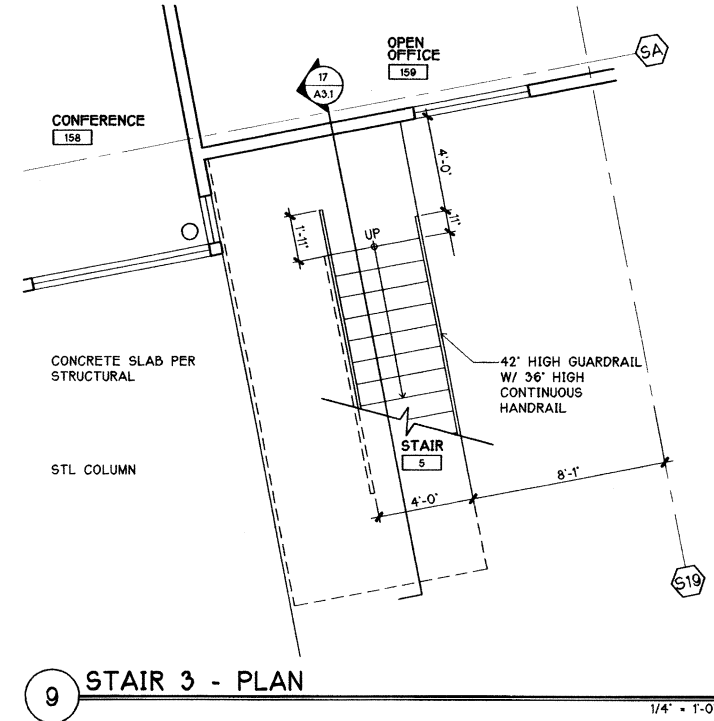
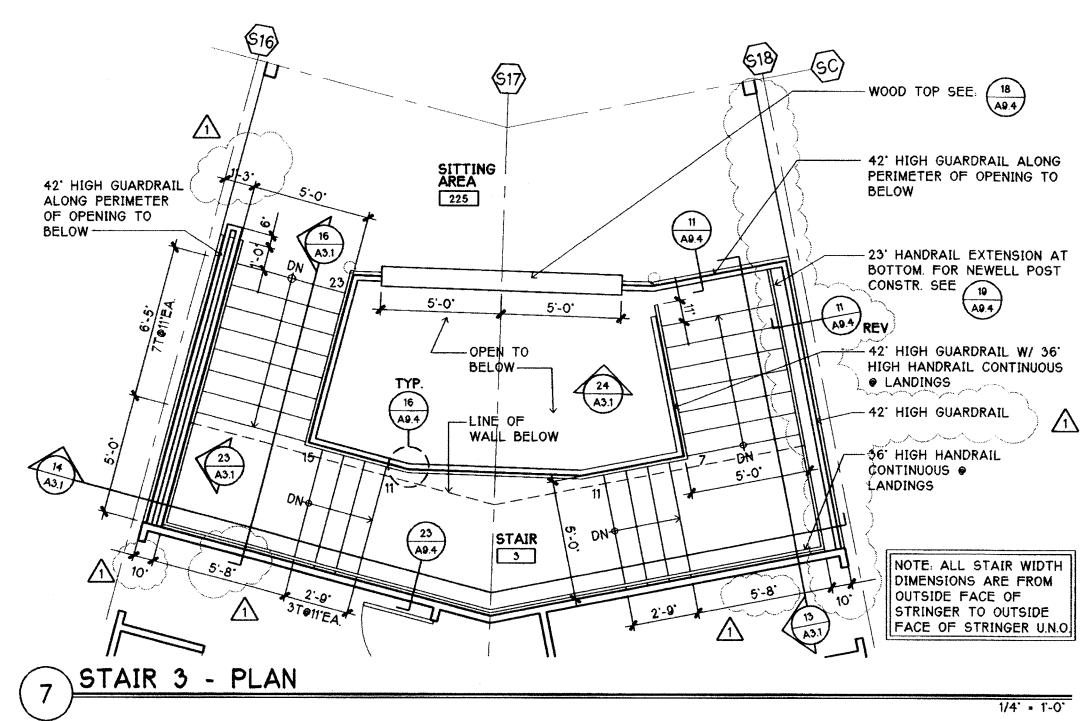




SCALE 1/4"=1'-0"



DATE	REVISION
5/18/00	CONSTRU SET

BG
DESIGNED BY
RF
PROJECT MANAGER
DAS/DWG
PROJECT ARCHITECT
KT
CHECKER
FB
DRAWN



**ENLARGED STAIR
PLANS & SECTIONS,
GUARDRAIL ELEVATIONS**

08060.05
PROJECT NO.
MAY 18, 1999
FILE
E:\98060\CDVA3-1DWG
COPY/REV FILE NAME