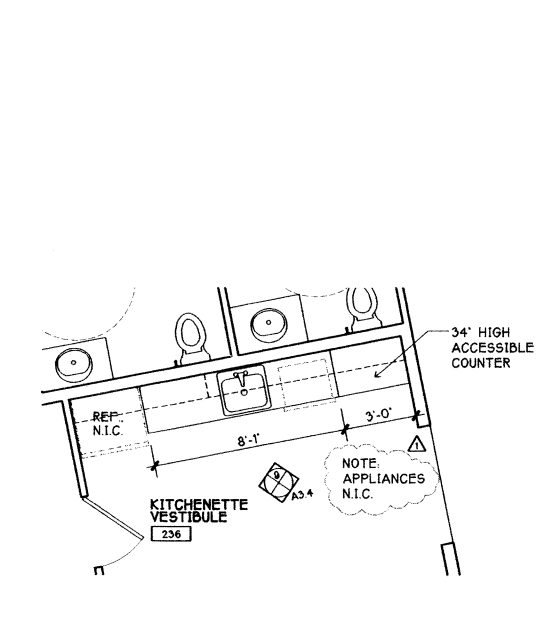
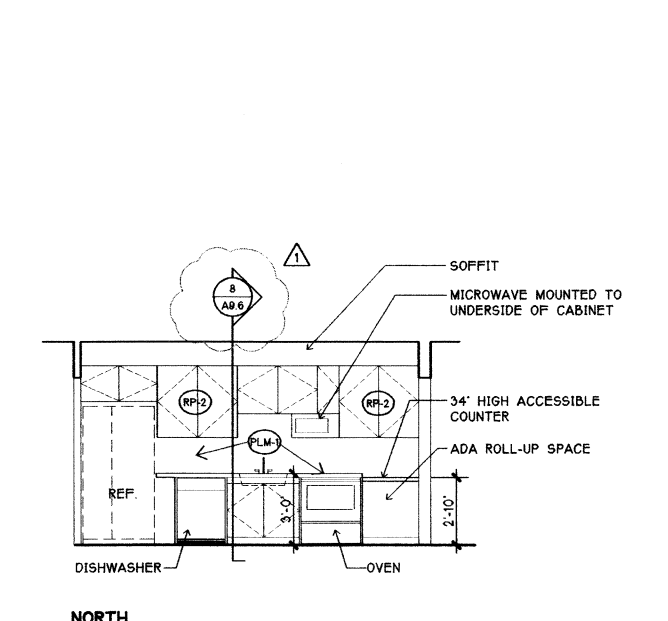


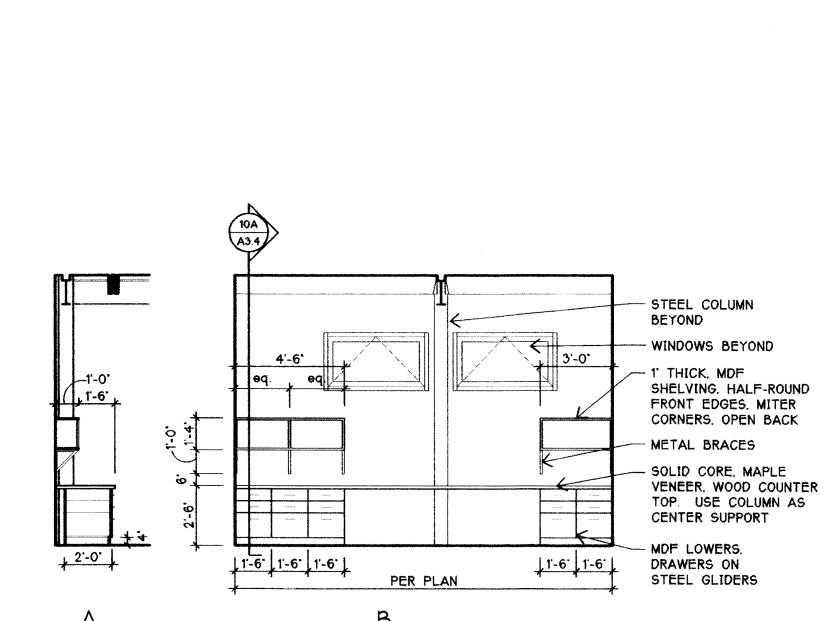
7 FIRST FLOOR LOUNGE PLAN
1/4" = 1'-0"



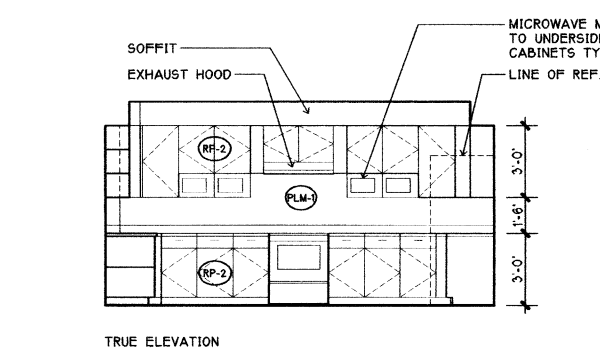
8 SECOND FLOOR KITCHENETTE
1/4" = 1'-0"



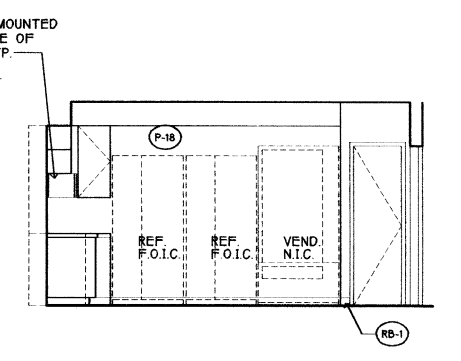
9 KITCHENETTE/VESTIBULE 236
1/4" = 1'-0"



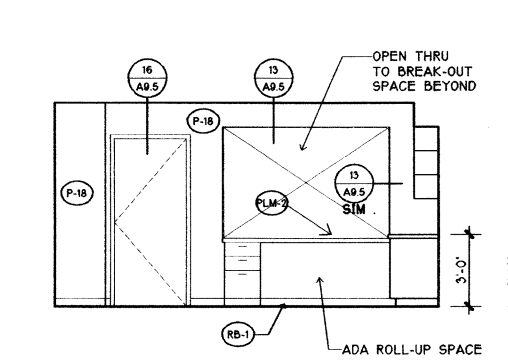
10 MAIL/ SHIPPING 136
1/4" = 1'-0"



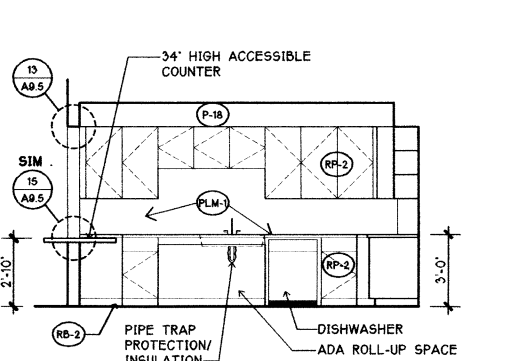
13 LOUNGE 114 NORTH
1/4" = 1'-0"



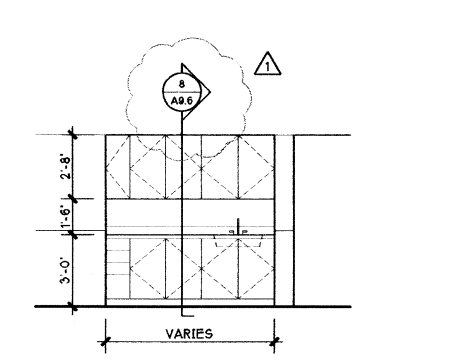
14 LOUNGE 114 EAST
1/4" = 1'-0"



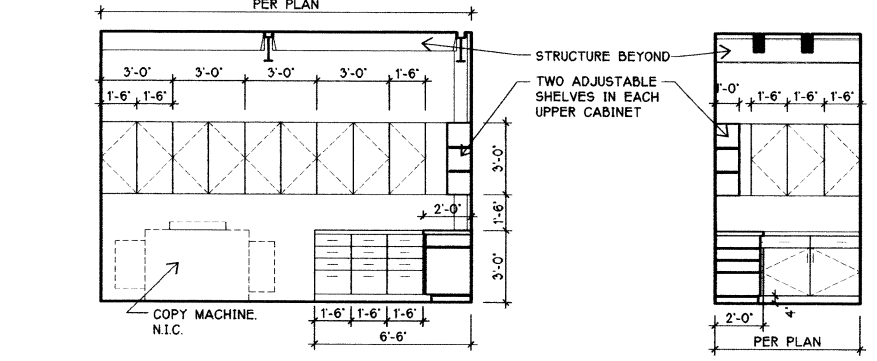
15 LOUNGE 114 SOUTH
1/4" = 1'-0"



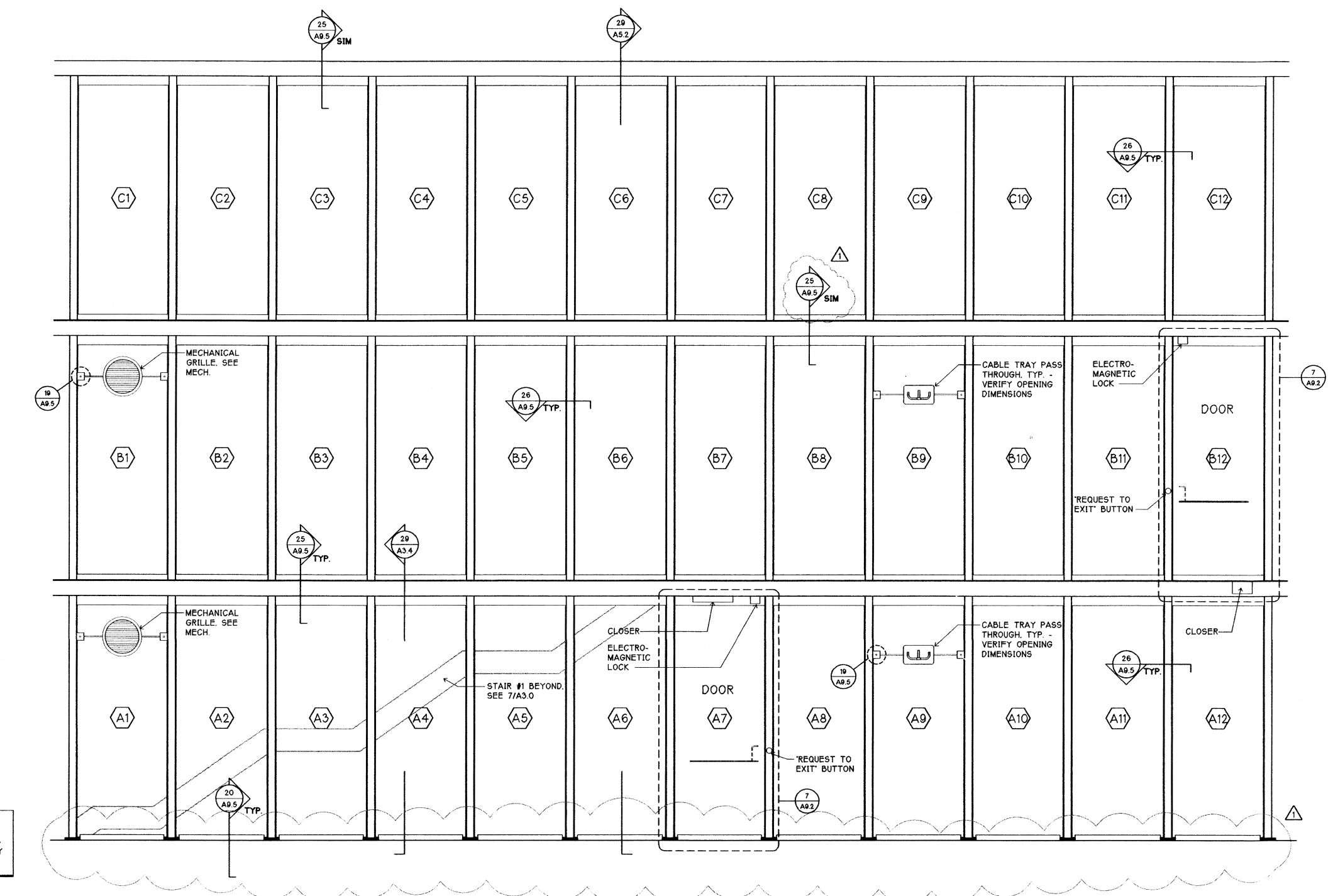
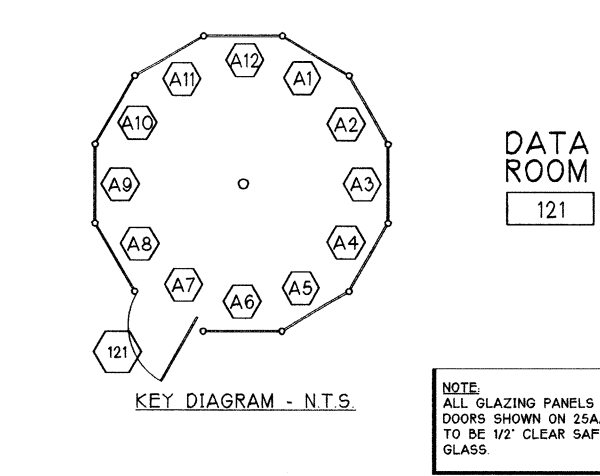
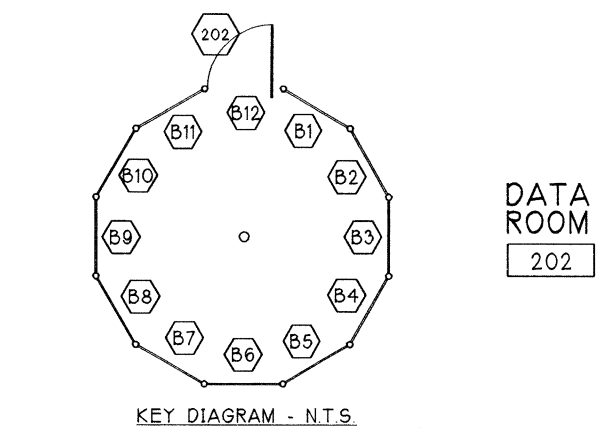
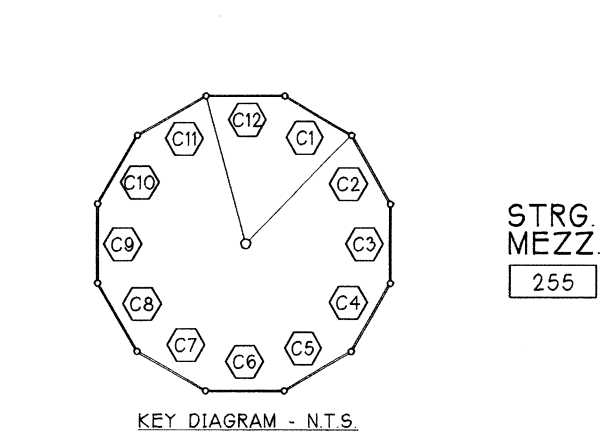
16 LOUNGE 114 WEST
1/4" = 1'-0"



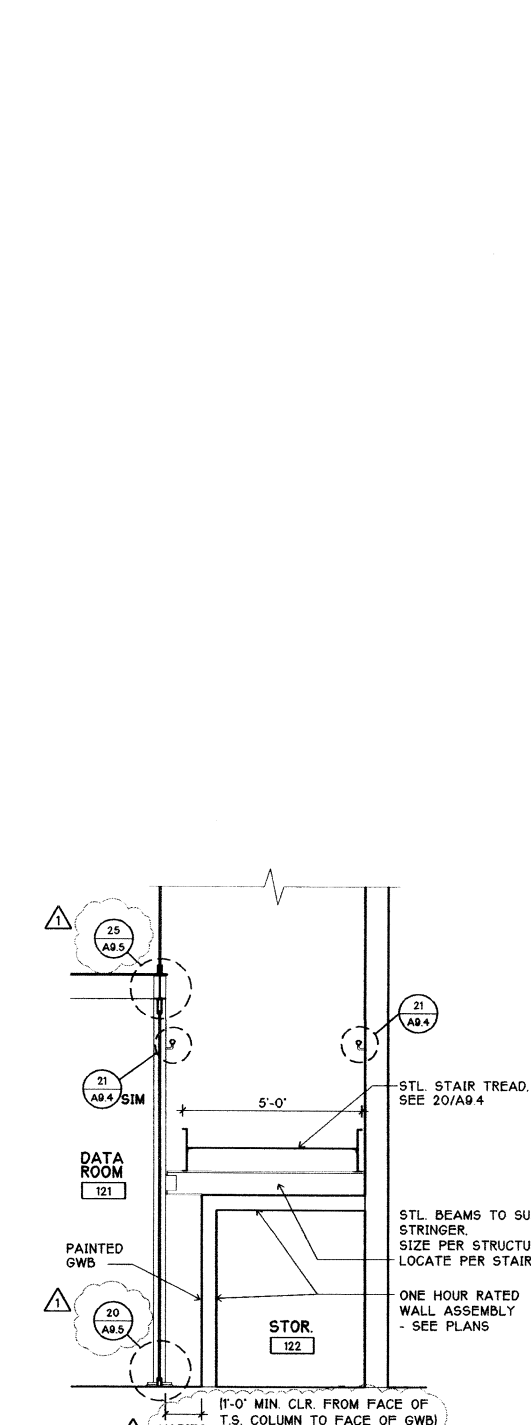
17 COFFEE STN ELEVATION
1/4" = 1'-0"



18 COPY ROOM 128
1/4" = 1'-0"



25 INTERIOR ELEVATIONS / GLAZING PANELS • DATA ROOM 121, DATA ROOM 202, STRG. MEZZ. 255
3/8" = 1'-0"



29 SECTION STAIR #1/STOR. 122
3/8" = 1'-0"



SCALE 1/4"=1'-0"

DATE	DESCRIPTION
5/18/99	CON STRU. SET

2029 REGISTERED ARCHITECT
THOMAS D. EMRICH
STATE OF WASHINGTON

ENLARGED PLANS/
ELEVATIONS
98060.05
MAY 18, 1999
E:1980601CDIA3-4.DWG
COMPUTER PLOT FILE

A3.4 CONSTRUCTION SET