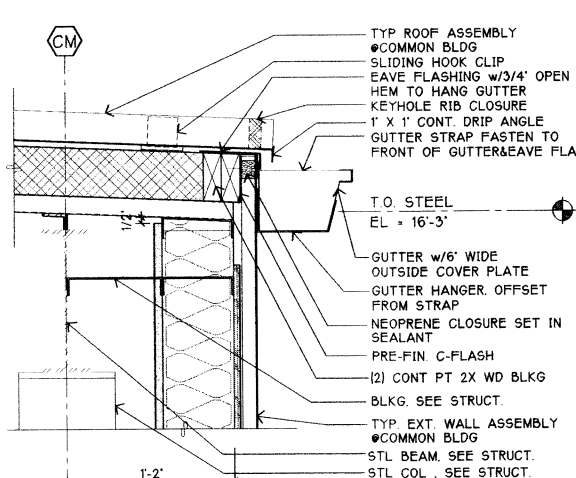
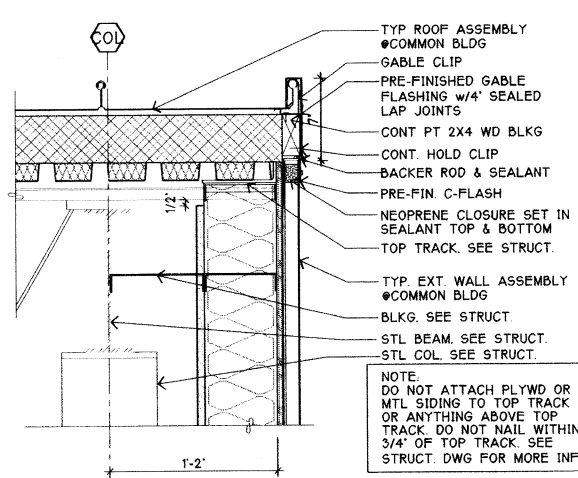


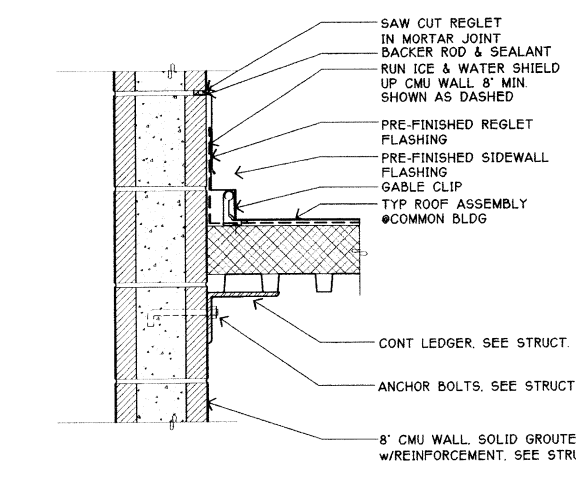
1 ROOF RIDGE COMMON BLDG
 SIM AT HIP OF OFFICE BLDG



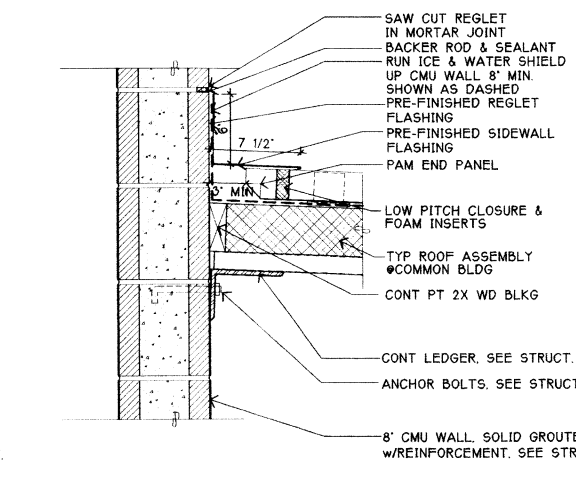
2 TYP. ROOF EAVE COMMON BLDG



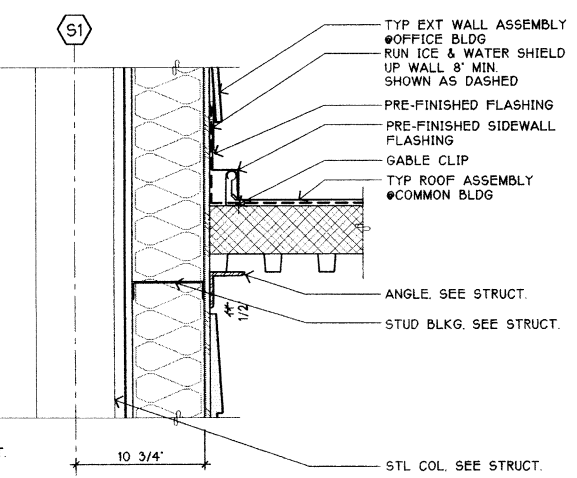
3 TYP. ROOF GABLE COMMON BLDG



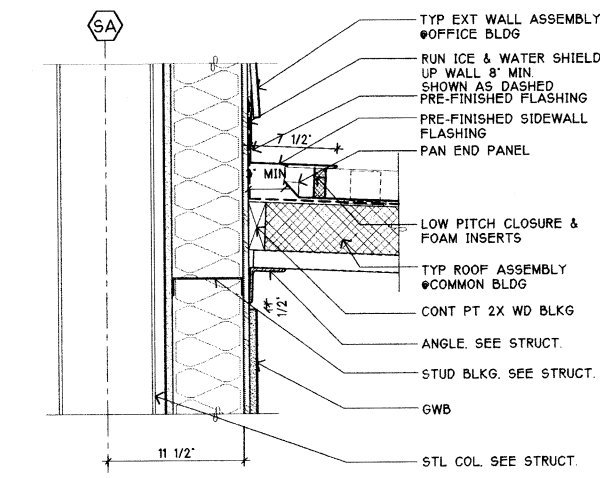
4 ROOF SIDEWALL DETAIL COMMON BLDG/DATA TOWER



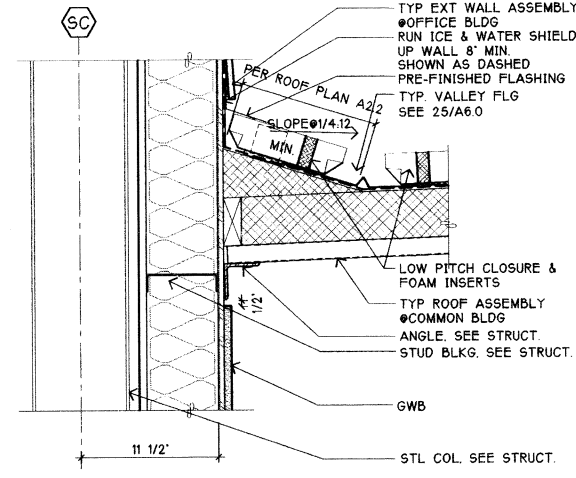
5 ROOF ENDWALL DETAIL COMMON BLDG/DATA TOWER



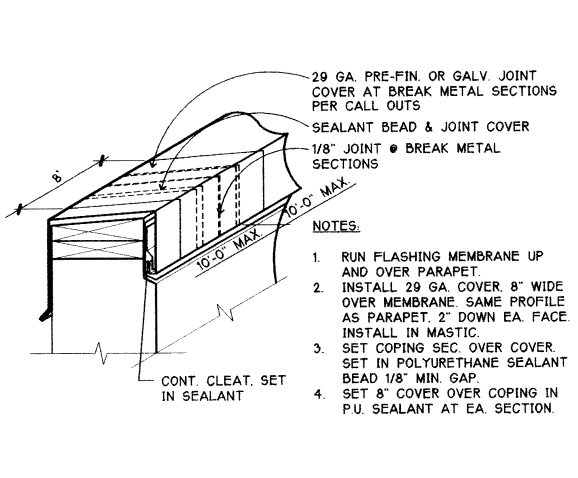
6 ROOF SIDEWALL DETAIL COMMON BLDG/OFF. BLDG



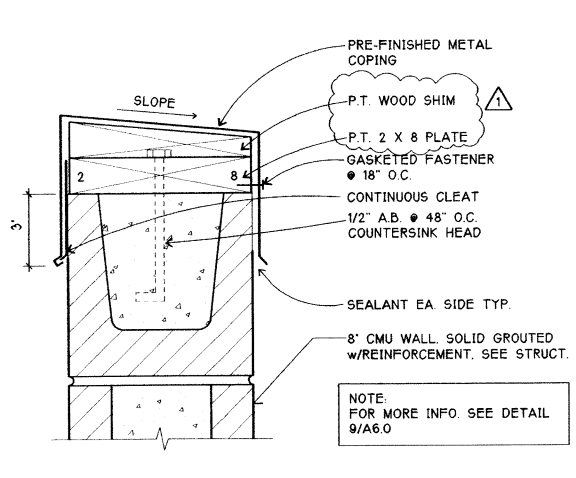
7 ROOF ENDWALL DETAIL COMMON BLDG/OFFICE BLDG



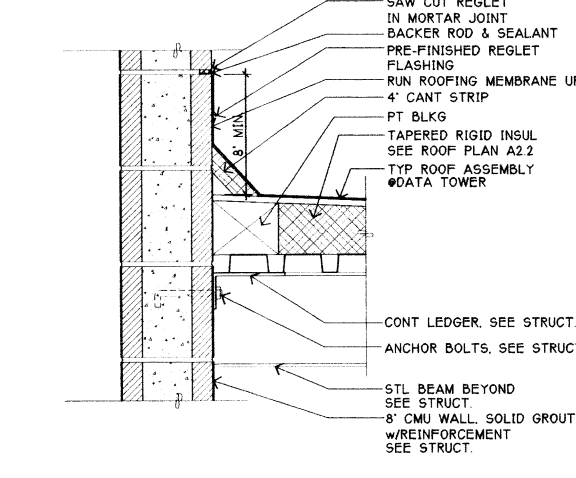
8 ROOF ENDWALL DETAIL COMMON BLDG/OFFICE BLDG



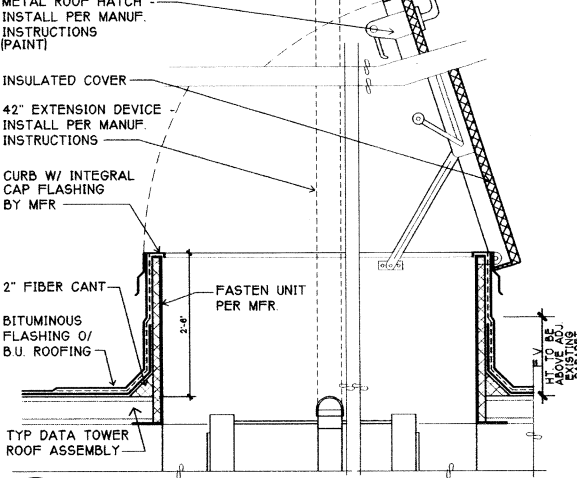
9 COPING EXP. CONTROL DETAIL



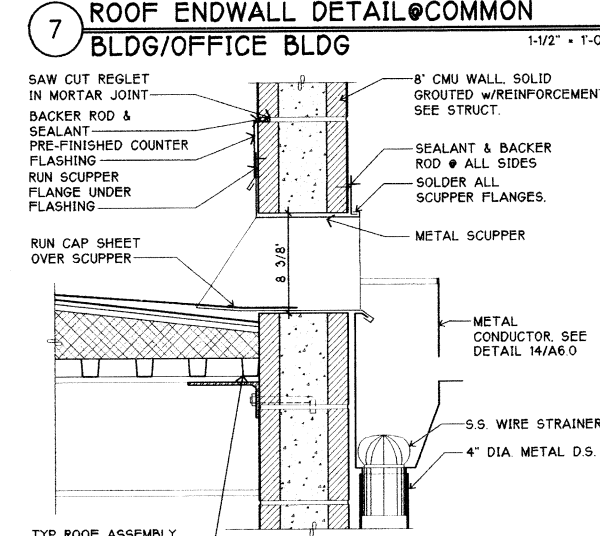
10 CMU PARAPET DETAIL DATA TOWER



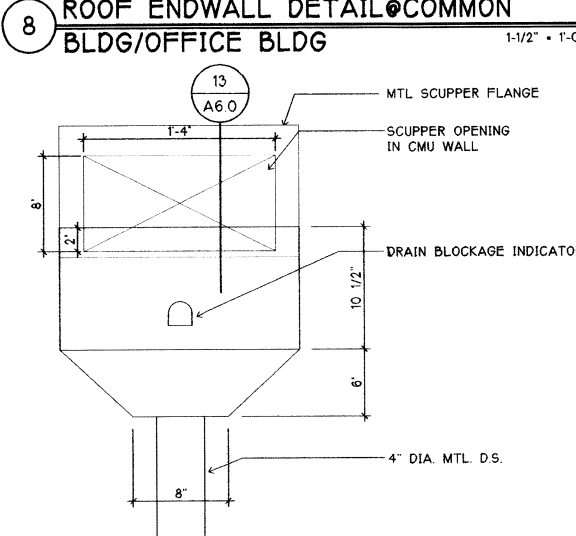
11 ROOF DETAIL DATA TOWER



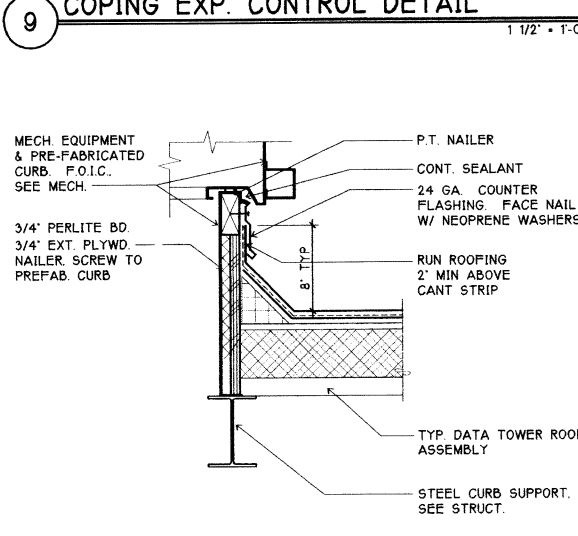
12 ROOF HATCH DETAIL DATA TOWER



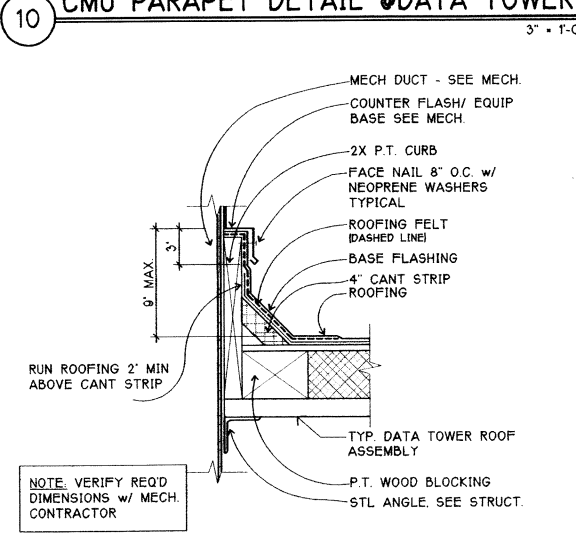
13 SCUPPER DETAIL DATA TOWER



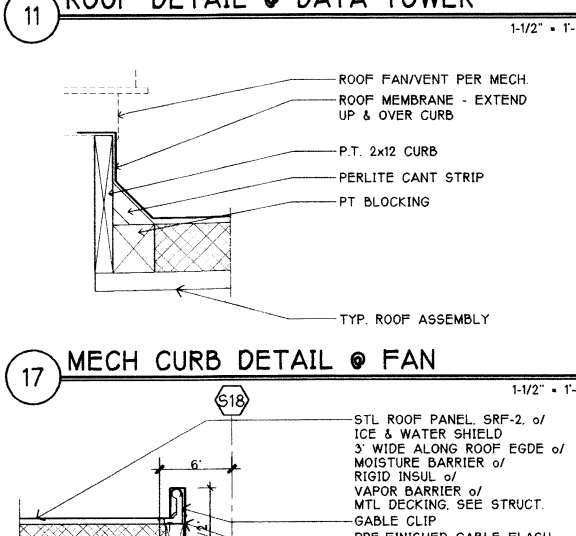
14 CONDUCTOR/SCUPPER DETAIL DATA TOWER



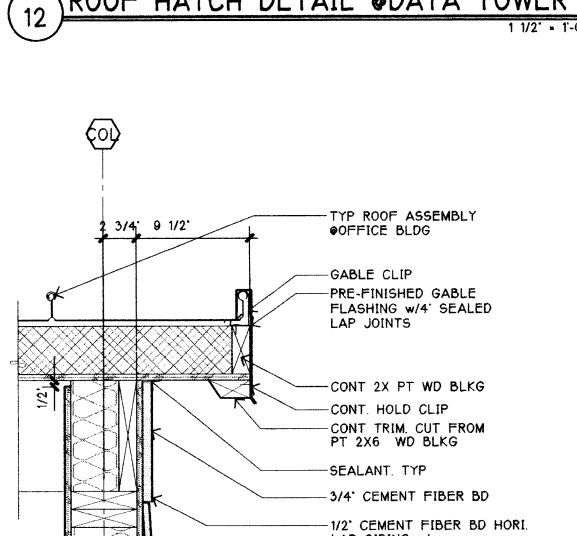
15 MECH EQUIPMENT CURB DETAIL DATA TOWER ROOF



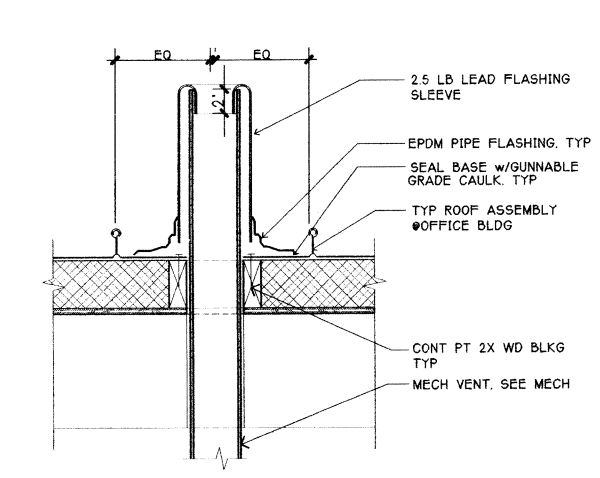
16 MECH DUCT PENETRATION DETAIL DATA TOWER ROOF



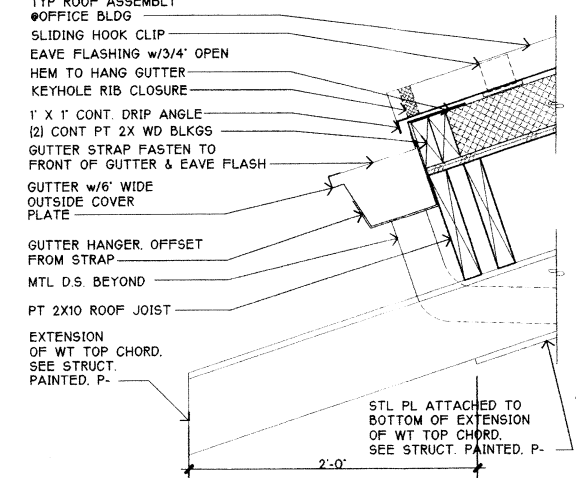
17 MECH CURB DETAIL FAN



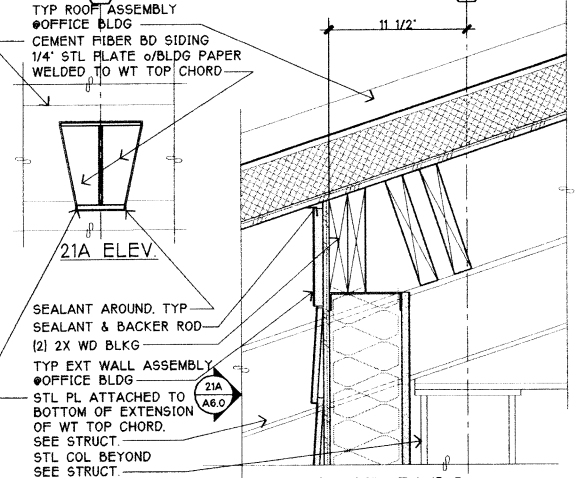
23 ROOF GABLE & WALL WRIST



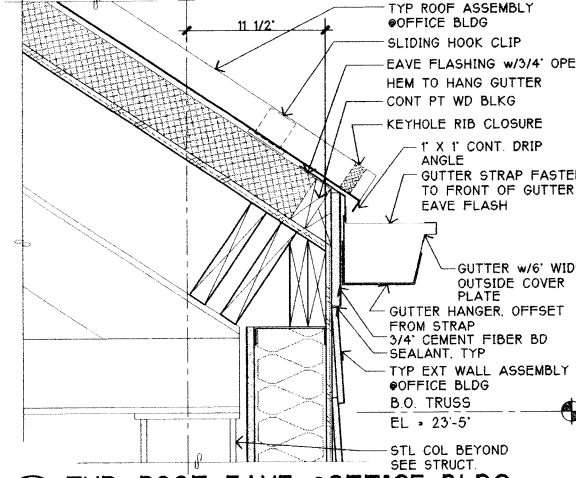
19 MECH VENT/PLUMBING PENETRATION DETAIL



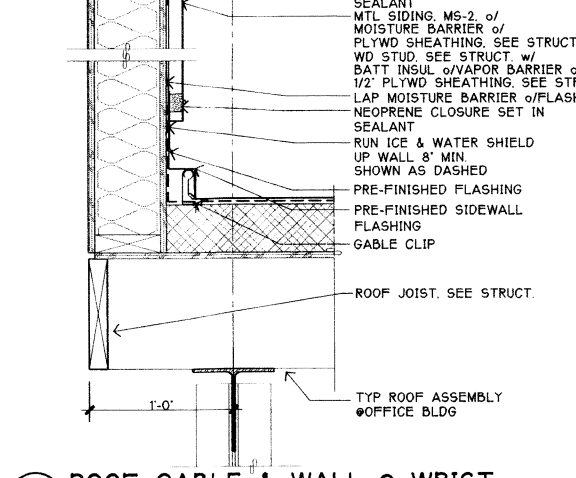
20 ROOF OVERHANG OFFICE BLDG



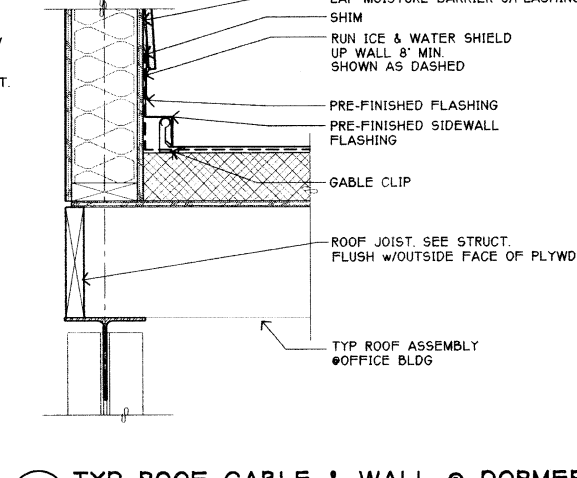
21 ROOF DETAIL OFFICE BLDG



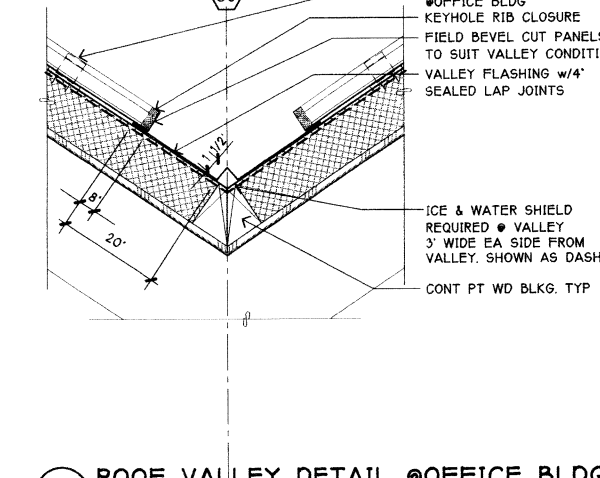
22 TYP. ROOF EAVE OFFICE BLDG



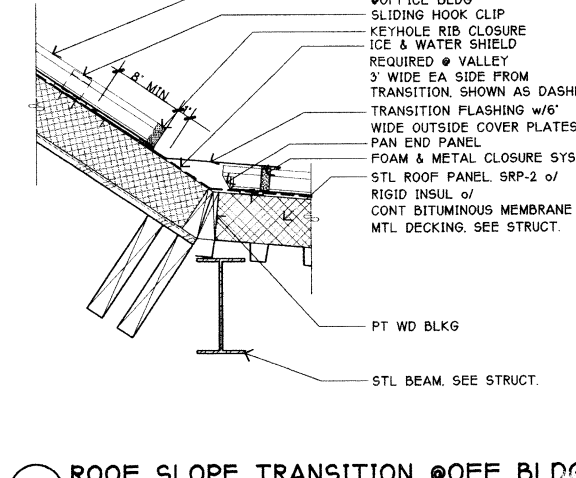
24 TYP. ROOF GABLE & WALL DORMER



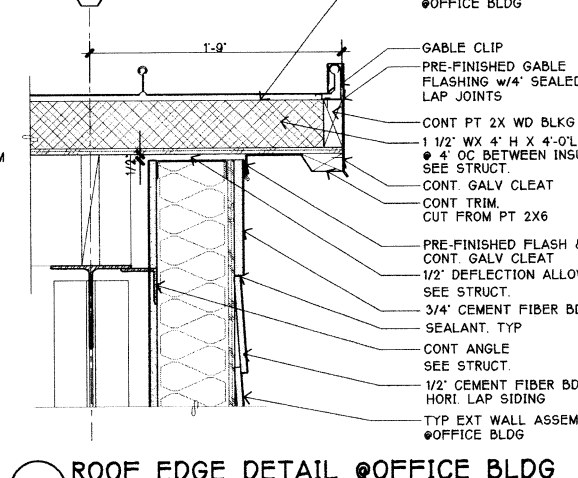
29 ROOF EDGE EAST END OF OFF BLDG



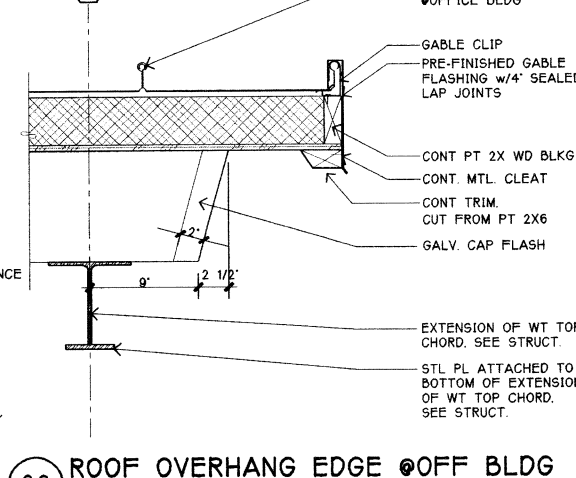
25 ROOF VALLEY DETAIL OFFICE BLDG



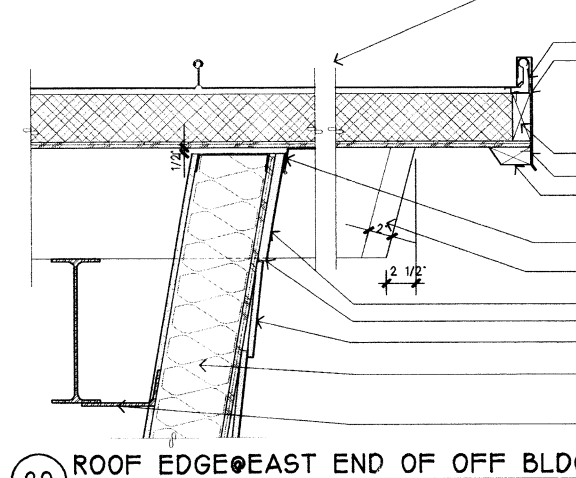
26 ROOF SLOPE TRANSITION OFF BLDG



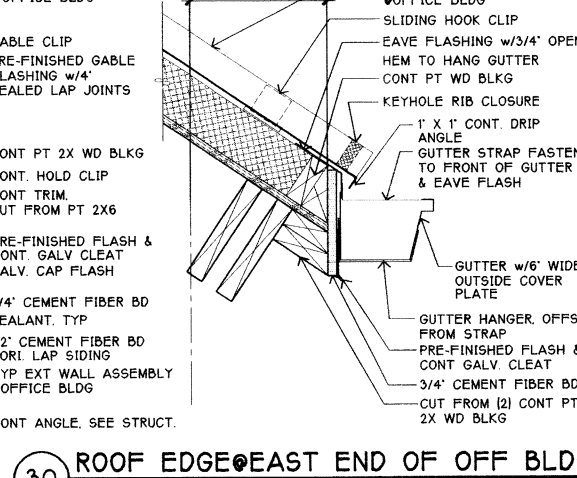
27 ROOF EDGE DETAIL OFFICE BLDG



28 ROOF OVERHANG EDGE OFF BLDG



29 ROOF EDGE EAST END OF OFF BLDG



30 ROOF EDGE EAST END OF OFF BLDG