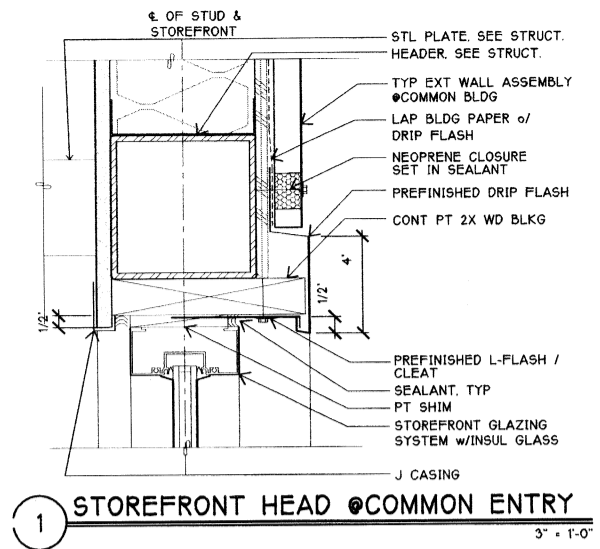


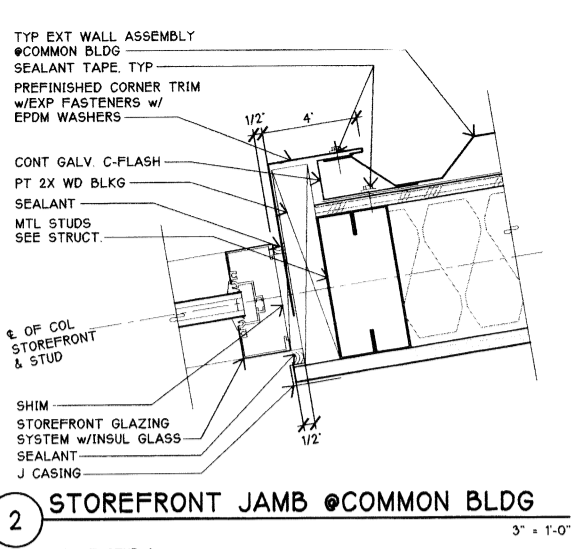


SUN HEALTHCARE SYSTEMS, INC.
 CAMPUS: PHASE ONE
 ANACORTES, WASHINGTON

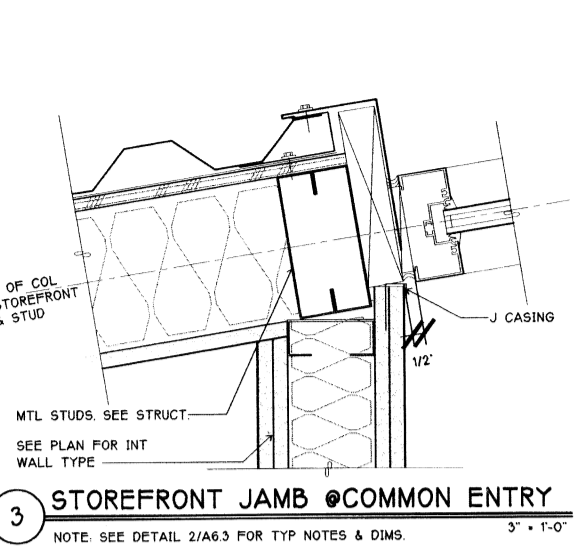
SCALE 1 1/2"=1'-0"



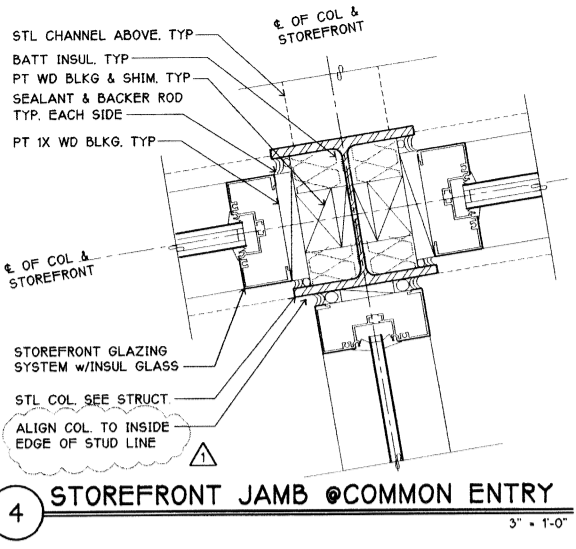
1 STOREFRONT HEAD @COMMON ENTRY 3" x 1'-0"



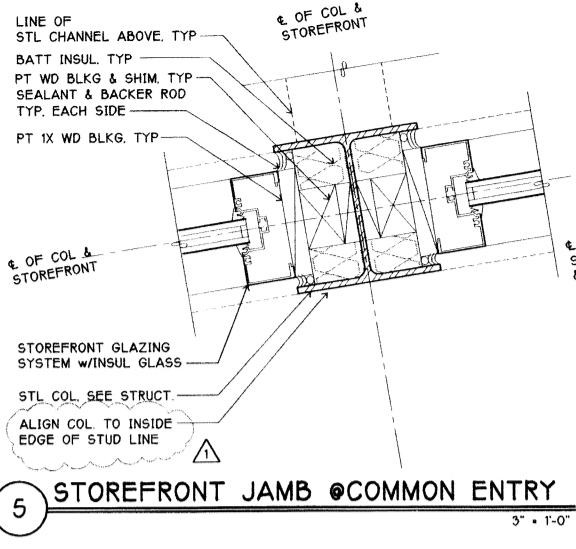
2 STOREFRONT JAMB @COMMON BLDG 3" x 1'-0"



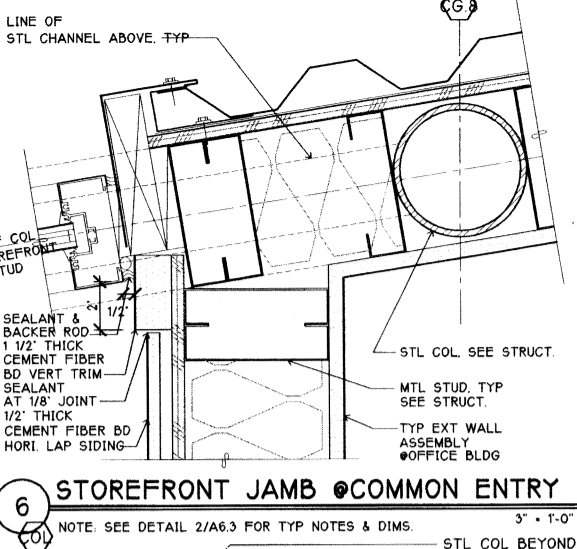
3 STOREFRONT JAMB @COMMON ENTRY 3" x 1'-0"
 NOTE: SEE DETAIL 2/A6.3 FOR TYP NOTES & DIMS.



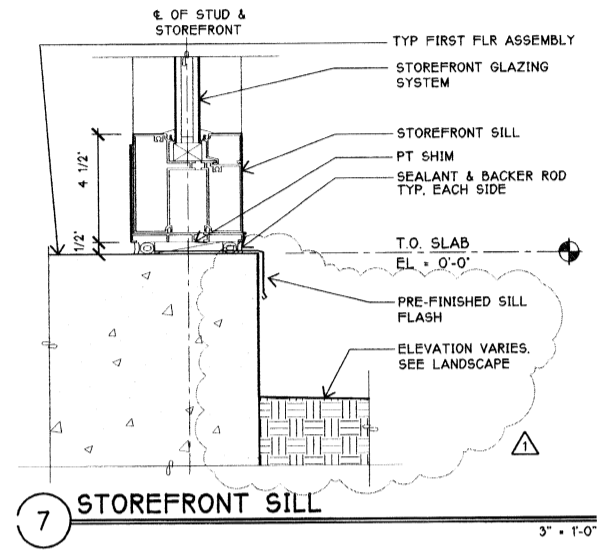
4 STOREFRONT JAMB @COMMON ENTRY 3" x 1'-0"



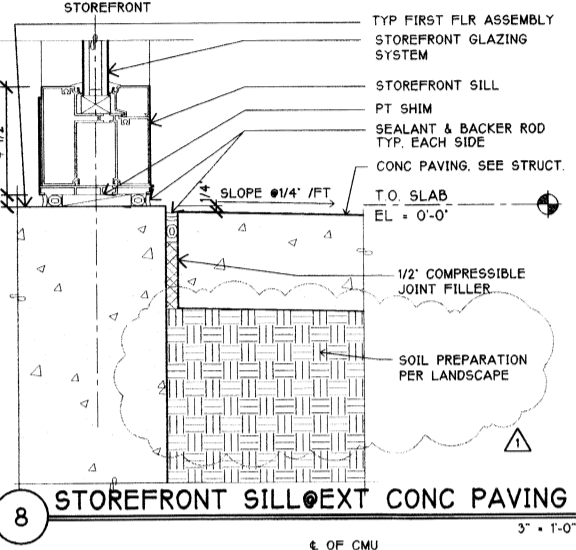
5 STOREFRONT JAMB @COMMON ENTRY 3" x 1'-0"



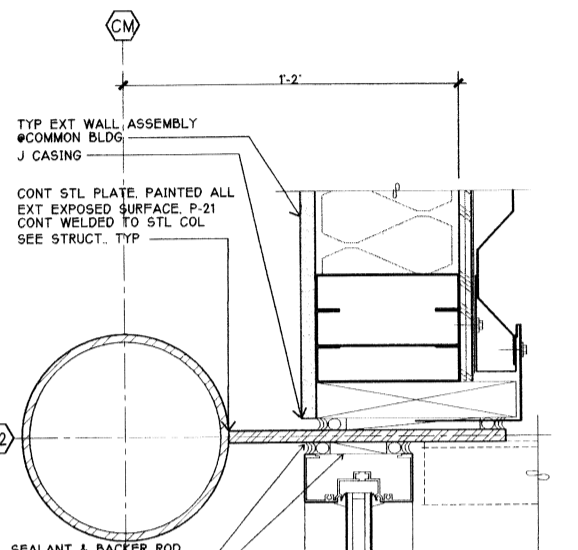
6 STOREFRONT JAMB @COMMON ENTRY 3" x 1'-0"
 NOTE: SEE DETAIL 2/A6.3 FOR TYP NOTES & DIMS.



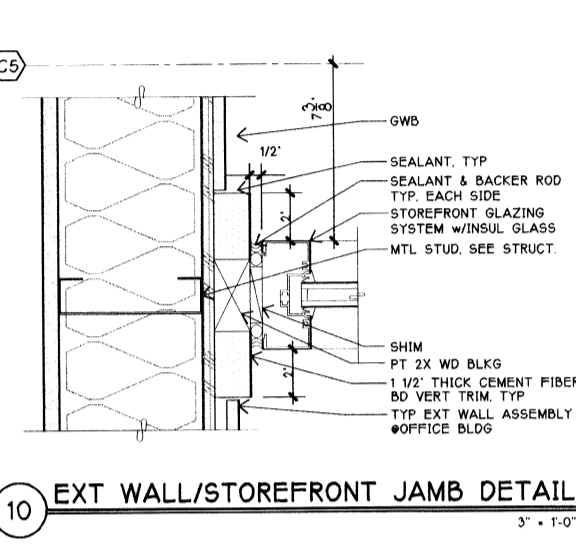
7 STOREFRONT SILL 3" x 1'-0"



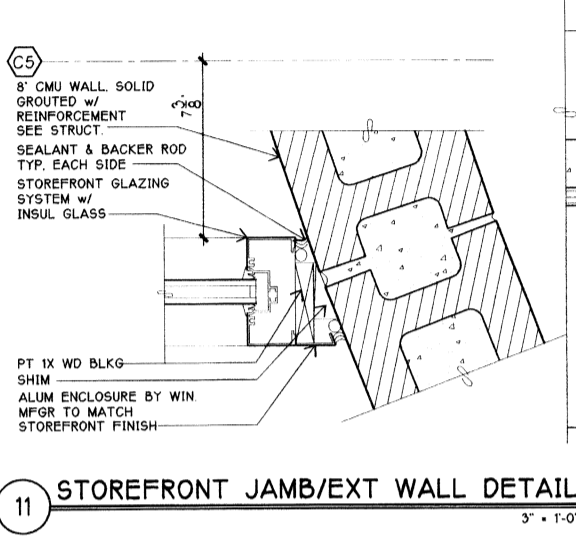
8 STOREFRONT SILL @EXT CONC PAVING 3" x 1'-0"



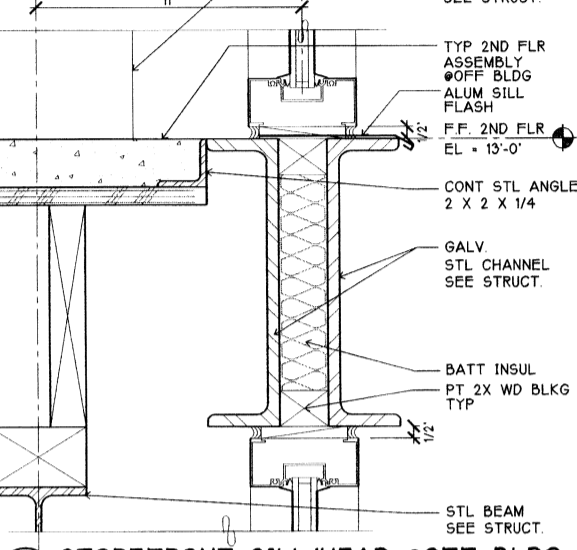
9 STOREFRONT JAMB @COMMON ENTRY 3" x 1'-0"



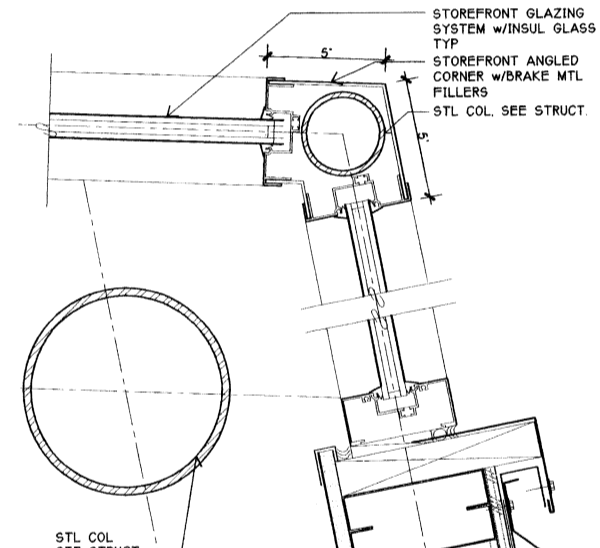
10 EXT WALL/STOREFRONT JAMB DETAIL 3" x 1'-0"



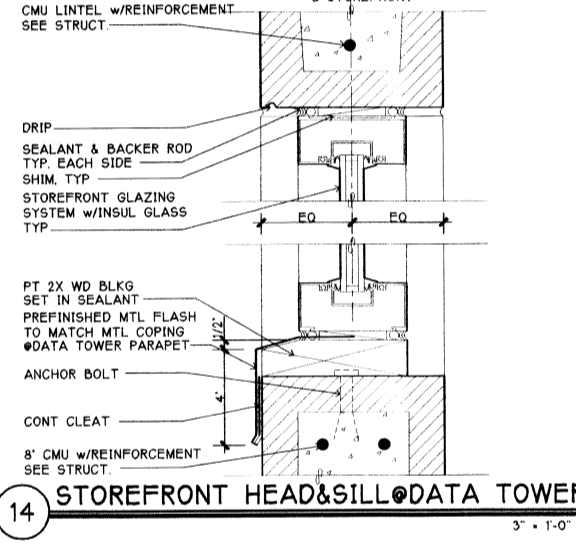
11 STOREFRONT JAMB/EXT WALL DETAIL 3" x 1'-0"



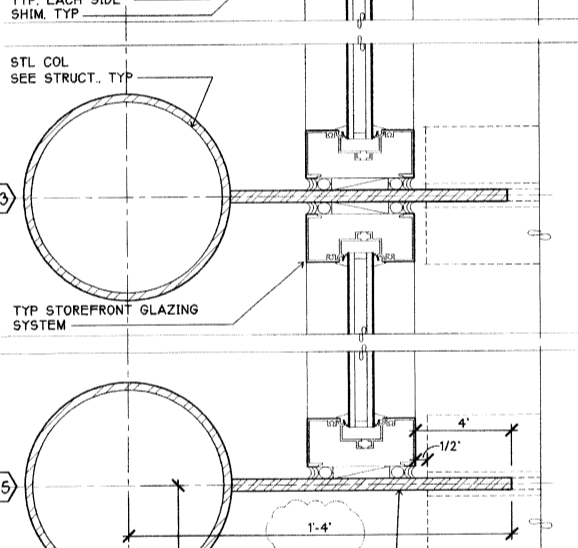
12 STOREFRONT SILL/HEAD @OFF BLDG 3" x 1'-0"
 NOTE: SEE DETAIL 1/A6.3 FOR TYP NOTES & DIMS.



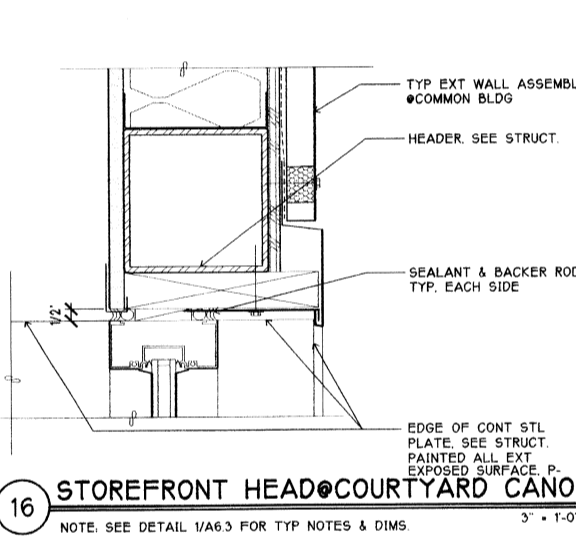
13 STOREFRONT JAMB @ OFF BLDG 3" x 1'-0"
 NOTE: SEE DETAIL 2/A6.3 FOR TYP NOTES & DIMS.



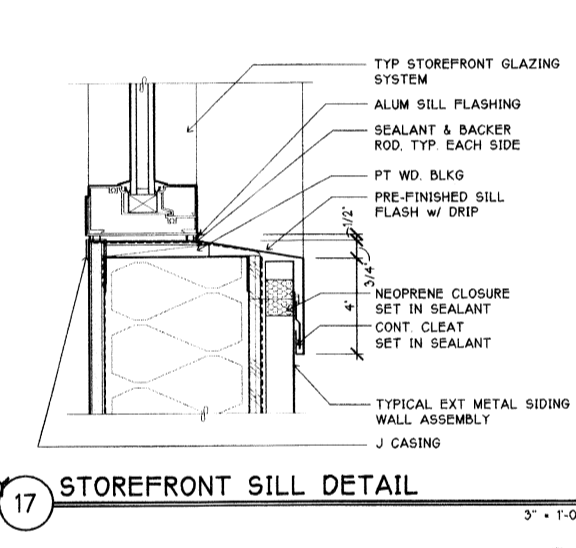
14 STOREFRONT HEAD & SILL @DATA TOWER 3" x 1'-0"



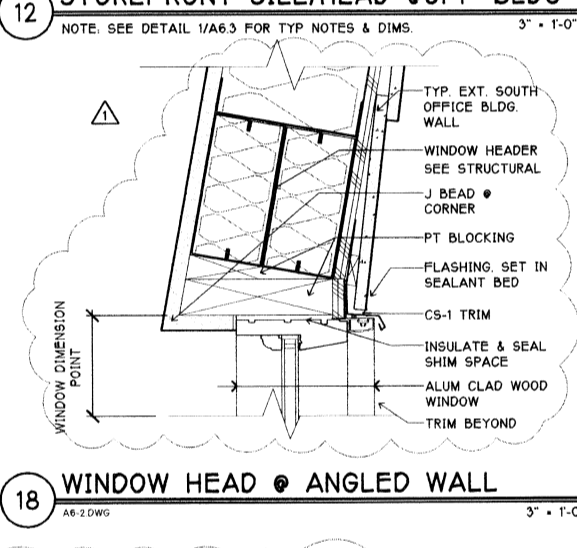
15 STOREFRONT JAMB @COMMON ENTRY 3" x 1'-0"



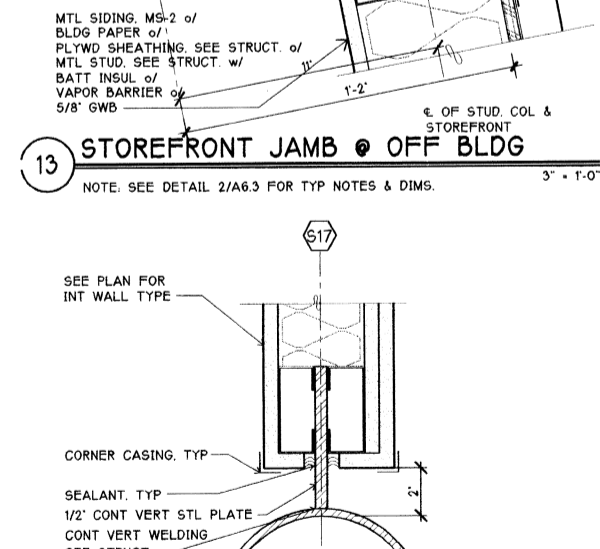
16 STOREFRONT HEAD @COURTYARD CANOPY 3" x 1'-0"
 NOTE: SEE DETAIL 1/A6.3 FOR TYP NOTES & DIMS.



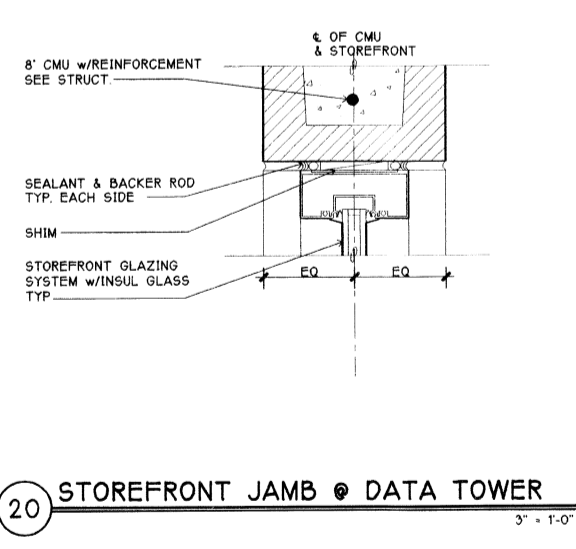
17 STOREFRONT SILL DETAIL 3" x 1'-0"



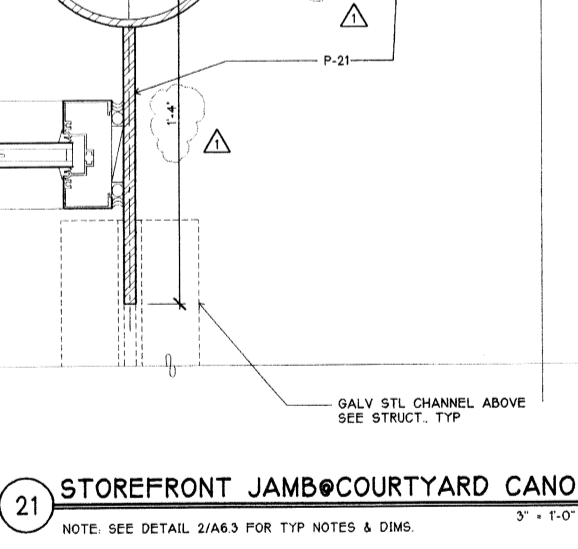
18 WINDOW HEAD @ ANGLED WALL 3" x 1'-0"



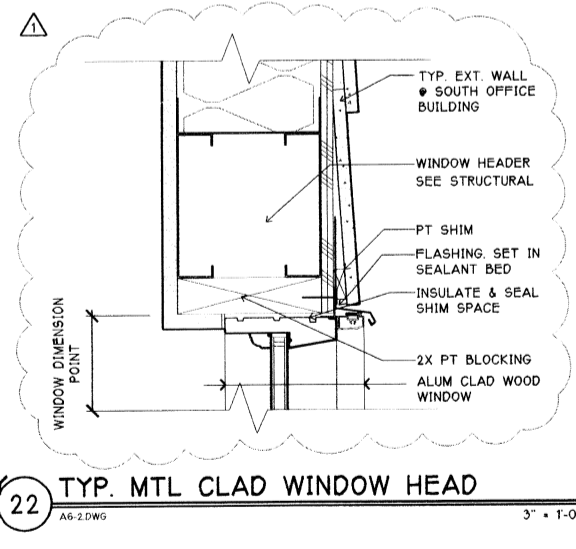
19 STOREFRONT JAMB @ OFF BLDG 3" x 1'-0"



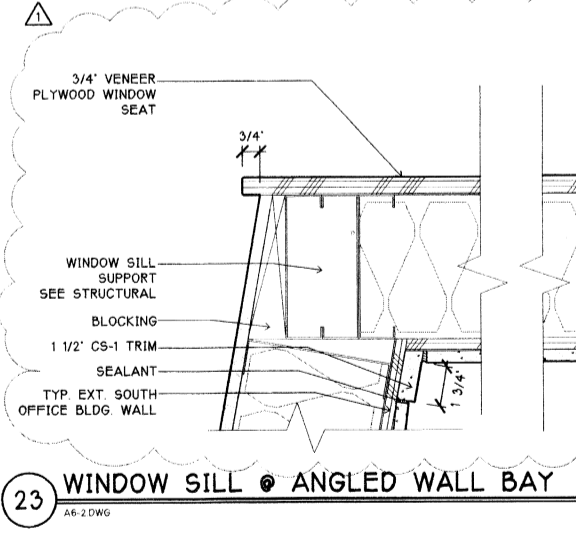
20 STOREFRONT JAMB @ DATA TOWER 3" x 1'-0"



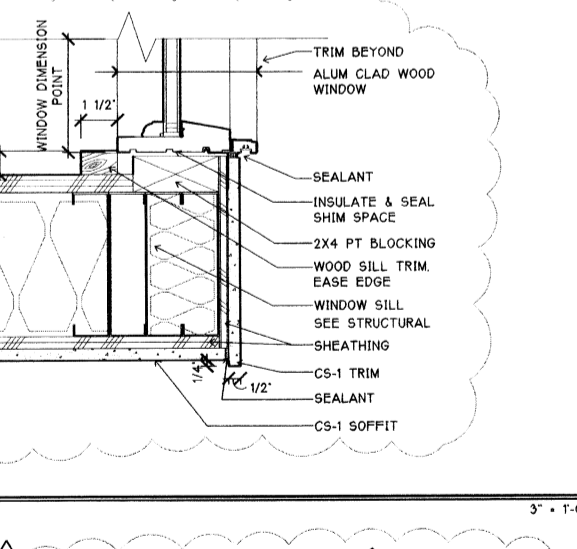
21 STOREFRONT JAMB @COURTYARD CANOPY 3" x 1'-0"
 NOTE: SEE DETAIL 2/A6.3 FOR TYP NOTES & DIMS.



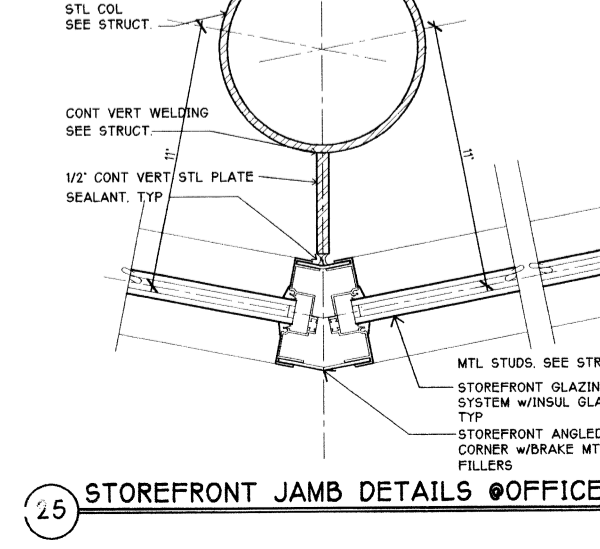
22 TYP. MTL CLAD WINDOW HEAD 3" x 1'-0"



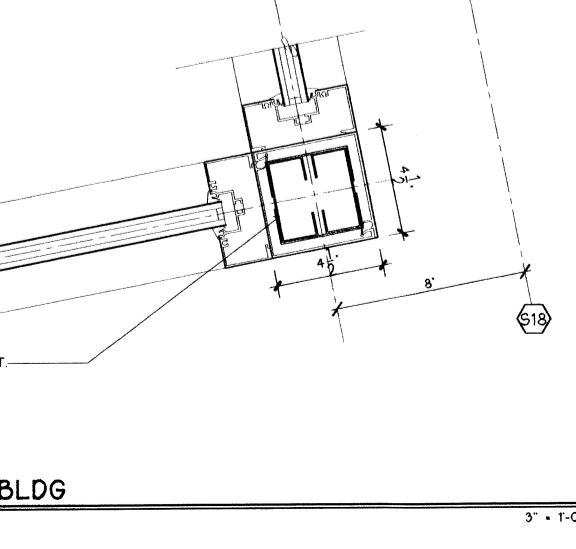
23 WINDOW SILL @ ANGLED WALL BAY 3" x 1'-0"



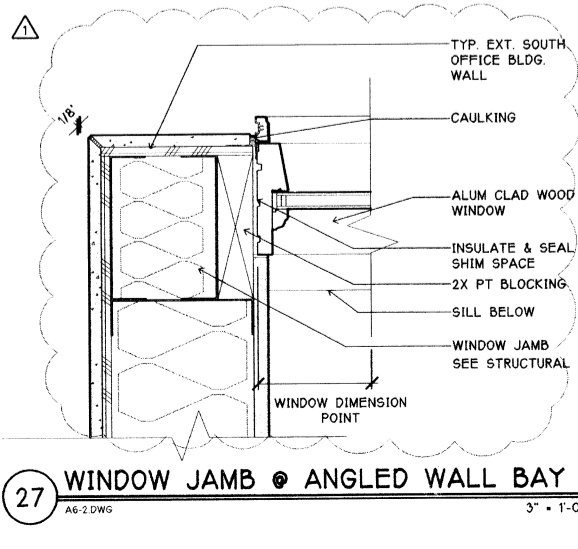
24 WINDOW HEAD @ ANGLED WALL 3" x 1'-0"



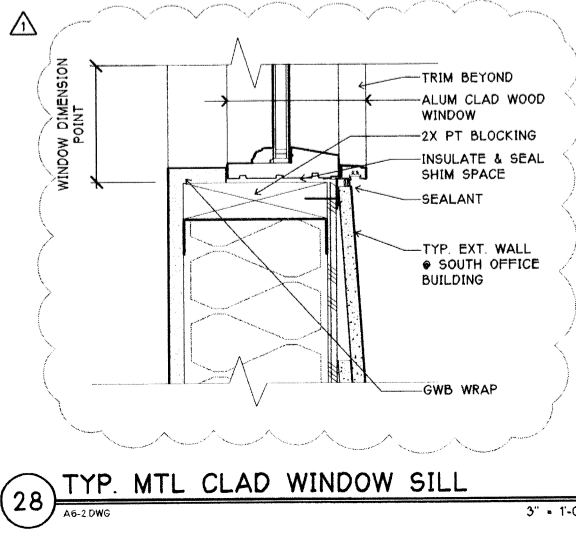
25 STOREFRONT JAMB DETAILS @OFFICE BLDG 3" x 1'-0"



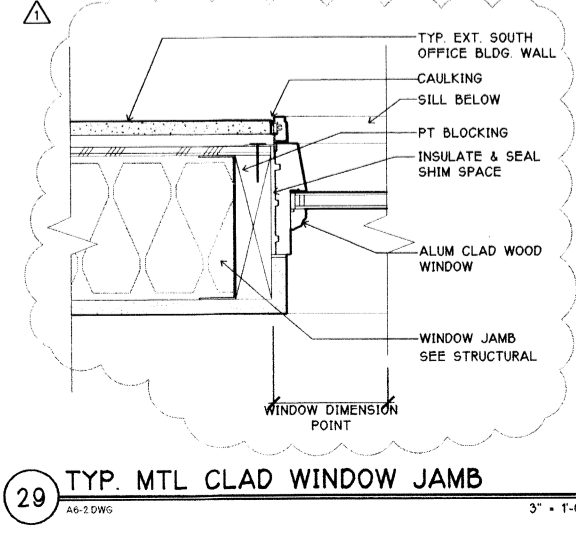
26 STOREFRONT JAMB @ DATA TOWER 3" x 1'-0"



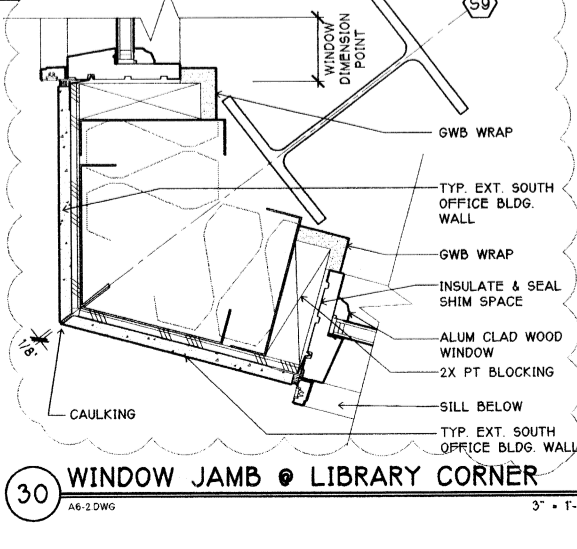
27 WINDOW JAMB @ ANGLED WALL BAY 3" x 1'-0"



28 TYP. MTL CLAD WINDOW SILL 3" x 1'-0"



29 TYP. MTL CLAD WINDOW JAMB 3" x 1'-0"



30 WINDOW JAMB @ LIBRARY CORNER 3" x 1'-0"

DATE	REVISION
5/18/99	CONSTRU. SET

BG	PROJECT IN CHARGE
RF	REGISTERED ARCHITECT
DAS/DWG	PROJECT ARCHITECT
CHH / SKC	PROJECT ARCHITECT
FB	DATE

2025 REGISTERED ARCHITECT
 THOMAS D. EMBRICH
 STATE OF WASHINGTON

WINDOW DETAILS

08060.05
 MAY 18, 1999
 E:\98060\CDVA6.2

A6.2 CONSTRUCTION SET