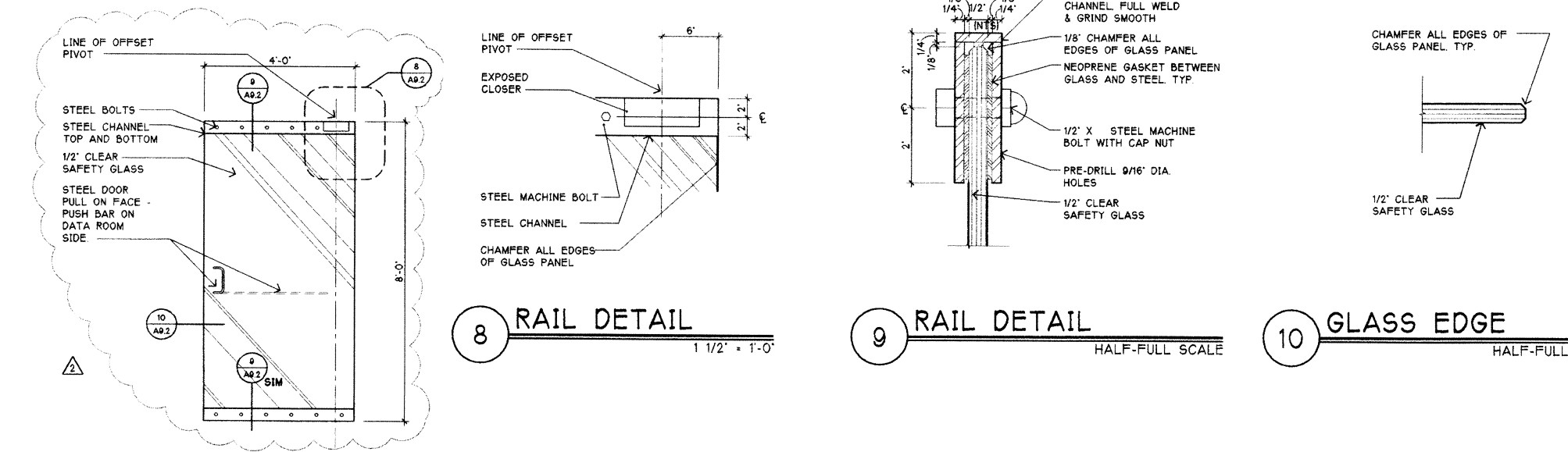


1 DOOR TYPES

3 FRAME TYPES

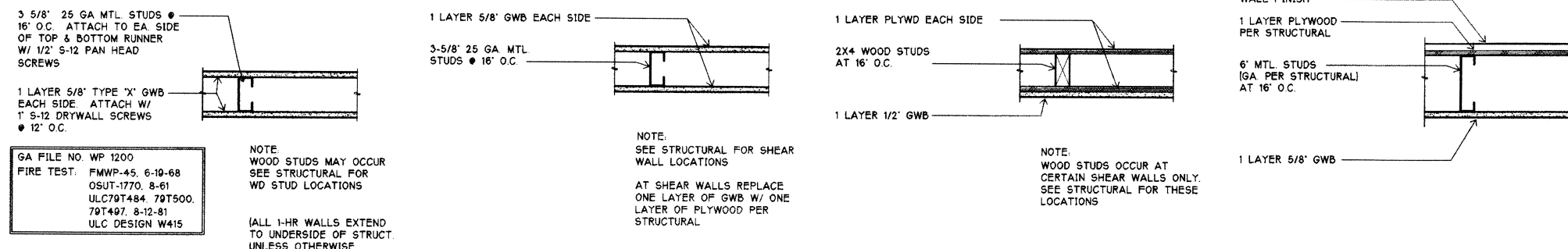


8 RAIL DETAIL

9 RAIL DETAIL

10 GLASS EDGE

7 DATA ROOM DOOR (EXT. FACE)



1 1-HR. PARTITION WALL

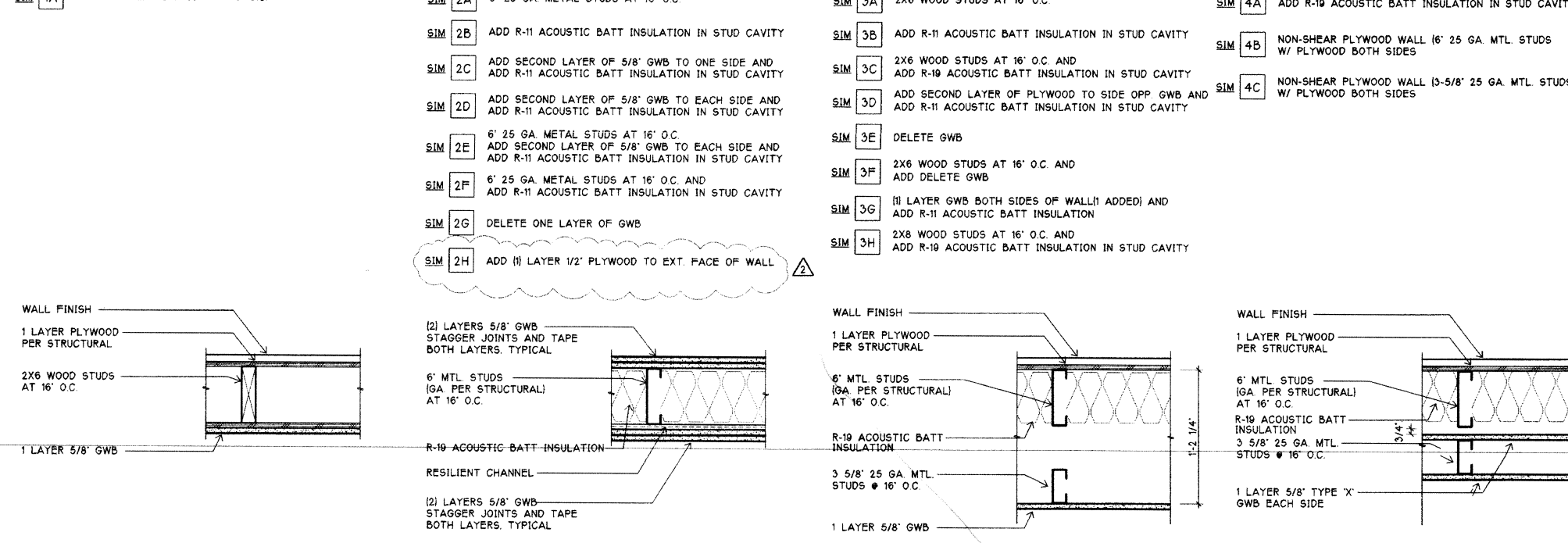
2 METAL STUD PARTITION WALL

3 WOOD STUD PARTITION / SHEAR WALL

4 INTERIOR PARTITION/SHEAR WALL (W/ EXT. SIDING)

5 INTERIOR PARTITION WALL (W/ EXT. SIDING)

6 INTERIOR PARTITION WALL



7 INTERIOR PARTITION WALL (W/ EXT. SIDING)

8 INTERIOR PARTITION WALL

9 INTERIOR PARTITION WALL (W/ EXT. SIDING)

10 INTERIOR PARTITION WALL

25 INTERIOR PARTITIONS

ALL INTERIOR PARTITIONS ARE TYPE 2 UNLESS NOTED OTHERWISE ON FLOOR PLANS

DOOR & FRAME SCHEDULE - SUN SYSTEMS INC.

GENERAL NOTES:

- HARDWARE GROUPS & HEAD AND JAMB DTL NOS SHALL BE ISSUED IN A FUTURE ADDENDUM
- ALL PANIC HARDWARE SHALL BE OPERABLE FROM THE INTERIOR WITHOUT KEY OR SPECIAL KNOWLEDGE
- ALL EXIT DOORS SHALL BE OPERABLE FROM THE INTERIOR IN EVENT OF POWER FAILURE
- ALL THRESHOLDS SHALL BE ACCESSIBLE PER ADA
- ALL DOORS 1-3/4" THICK UNLESS NOTED OTHERWISE
- WOOD DOORS TO BE FLUSH CONSTRUCTION UNLESS NOTED OTHERWISE
- REFER TO REFLECTED CEILING PLANS, MECH & ELEC DRAWINGS, SPECIFICATIONS DIVISION 8 SECTION FOR ACCESS DOORS
- REFER TO DIVISION 9 SECTIONS "FINISH SCHEDULE" AND "PAINTING" FOR PAINT & STAIN COLORS, P-PAINT, S-STAIN & SEAL
- ALL WOOD DOORS ARE SOLID-CORE CONSTRUCTION UNLESS NOTED OTHERWISE
- REFER TO DOOR AND FRAME TYPES (A9 2) FOR ELEVATIONS
- PROVIDE SAFETY GLAZING WHERE REQUIRED PER UBC SECTION 2406
- GLAZING CODE: LAM - LAMINATED, T-IG - TEMPERED INSULATED GLAZING, IG - INSULATED GLAZING, LVR - WOOD LOUVER, WIRE - WIRE GLASS, TG - TEMPERED GLASS
- GENERAL ABBREVIATIONS: WD - WOOD, HM - HOLLOW METAL, CO - CASSED OPENING, AL - ALUMINUM, W-CL - WOOD CLAD DOOR, IS - INSULATED STEEL, STL-STEEL
- FINISH ABBREVIATIONS: P-PAINT, S-STAIN & SEAL, GALV-GALVANIZE, AN-ANODIZE

KEY NOTES:

- INSULATED CORE EXTERIOR DOOR OR SIMILAR
- SECURE ACCESS ELECTRIC STRIKE WITH REMOTE CONTROL. SEE ELECTRICAL FOR FURTHER INFORMATION.
- MONITORED DOOR. SEE ELECTRICAL FOR FURTHER INFORMATION.
- COORDINATE WITH ELECTRICAL DRAWINGS
- EMERGENCY ACCESSIBLE ACCESS FUNCTION IN LOCKSET
- KICK PLATE, L - DOOR WIDTH MINUS 1/2", H - 10"

\*\*\*NOTE: SEE HARDWARE SCHEDULE FOR HARDWARE COORDINATION. THIS DOOR SCHEDULE INFORMATION MAY NOT BE CURRENT.

GROUND FLOOR

NO.	DOOR LEAF	SIZE (W x H)	TYPE	MATL.	FIN.	LITE	TYPE	MATL.	FIN.	RELITE	FIRE RATG	GRP	HW	CLSR	HEAD	JAMB	THRESH	NOTES (NUMBERS REFER TO KEY NOTES ABOVE)
100	BIKE STORAGE	3'-0" x 7'-0"	A	HM	P-6	-	A	HM	P-6	-	-	1	-	X	1/A63	2/A63	7/A63	12.6
101	UTILITY CLOS	3'-0" x 7'-0"	A	HM	P-6	-	A	HM	P-6	-	-	1	-	X	1/A63	2/A63	7/A63	12
102	VC STORAGE	3'-0" x 7'-0"	A	HM	P-6	-	A	HM	P-6	-	-	1	-	X	1/A63	2/A63	7/A63	12
104	COMM CLOS	3'-0" x 7'-0"	A	HM	P-3	-	A	HM	P-2	-	-	34	-	X	-	-	-	INT
105	VC EQUIP	3'-0" x 7'-0"	A	WD	S-X	-	A	WD	S-X	-	-	2	-	-	-	-	-	INT
106B	VC RM ENTRY	3'-0" x 7'-0"	F	WD	S-4	TG	A	WD	S-X	TG	-	5	-	X	-	-	-	INT
106B	VC ROOM EXT	3'-0" x 7'-0"	F	WD	S-4	TG	A	WD	S-X	TG	-	5	-	X	-	-	-	INT
108A	BREAK-OUT	3'-10" x 8'-0"	E	AL	AN	T-IG	AL	AN	-	-	-	7	X	X	-	-	-	7/A63 4.5 STOREFRONT
108B	BREAK-OUT	3'-10" x 8'-0"	E	AL	AN	T-IG	AL	AN	-	-	-	7	X	X	-	-	-	7/A63 2. CONFIRM W OF DRS
108A	SHOWR RM	3'-0" x 7'-0"	A	WD	S-3	-	A	HM	P-6	-	-	8	-	-	-	-	-	WC
108B	WH CLOSET	3'-0" x 7'-0"	A	HM	P-6	-	A	HM	P-6	-	-	9	-	-	-	-	-	WC
110	MENS WC	3'-0" x 7'-0"	A	WD	S-3	-	A	HM	P-6	-	-	10	-	X	-	-	-	WC
111	HALL	4'-0" x 7'-2"	CO	-	-	-	-	-	-	-	-	-	-	-	-	-	-	-
112	JAN CLOS	3'-0" x 7'-0"	A	HM	P-11	-	A	HM	P-11	-	-	-	-	-	-	-	-	WC
113	WOMENS WC	3'-0" x 7'-0"	A	WD	S-3	-	A	HM	P-6	-	-	10	-	X	-	-	-	WC
114	LOUNGE ENTRY	3'-0" x 7'-0"	F	WD	S-3	TG	A	HM	P-6	-	-	12	-	-	-	-	-	INT
115	LOUNGE CLOSET	3'-0" x 7'-0"	A	WD	S-3	-	A	HM	P-6	-	-	12	-	-	-	-	-	INT
116	LOBBY EXT	Pr 3'-6" x 8'-0"	E	AL	AN	T-IG	AL	AN	-	-	-	33	X	X	-	-	-	7/A63 2.4 STOREFRONT
120	DATA TWR S	3'-0" x 7'-0"	E	AL	AN	T-IG	AL	AN	-	-	-	14	X	X	-	-	-	12/A63 12.3, 4, 6
121	DATA RM	4'-0" x 8'-0"	G	GLASS	-	TG	-	-	-	-	-	15	-	-	-	-	-	2, 3, 4 HERCULITE-TYPE DR
122	STORAGE	3'-0" x 7'-0"	A	HM	P-6	-	A	HM	P-6	-	-	16	-	X	-	-	-	-
125	SECURITY	3'-0" x 7'-0"	F	WD	S-3	TG	A	HM	P-6	-	-	17	-	X	-	-	-	2.3.4
126	ELEC CLOS	Pr 3'-0" x 7'-0"	F	WD	S-3	TG	A	HM	P-6	-	-	18	-	-	-	-	-	-
127	CONFERENCE	3'-0" x 7'-0"	F	WD	S-3	TG	A	HM	P-6	-	-	12	-	-	-	-	-	-
128	COPY	3'-0" x 7'-2"	CO	-	-	-	-	-	-	-	-	-	-	-	-	-	-	-
130	HALL	3'-6" x 7'-2"	CO	-	-	-	-	-	-	-	-	-	-	-	-	-	-	-
131	ELEV MACH RM	3'-0" x 7'-0"	A	HM	P-12	-	A	HM	P-12	-	-	1 HR	16	-	X	-	-	-
132	COMM CLOS	3'-0" x 7'-0"	A	HM	P-6	-	A	HM	P-6	-	-	-	-	-	-	-	-	-
133A	SOB VESTIBULE	5'-0" x 9'-0"	CO	-	-	-	-	-	-	-	-	-	-	-	-	-	-	-
133B	SOB VDOOR	4'-0" x 7'-0"	F	HM	P-6	TG	HM	P-6	TG	-	-	20	X	X	-	-	-	INT 2.3.4
134	EXT DOOR EAST	3'-0" x 7'-0"	F	W-CL	P-16	TG	W-CL	P-16	TG	-	-	19	X	X	-	-	-	10/A63 2.3.4 WDO MANUF
135	HARDWARE	4'-0" x 7'-6"	F	W-CL	P-16	TG	W-CL	P-16	TG	-	-	22	-	-	-	-	-	-
136A	MAIL RM N	3'-0" x 7'-6"	C	WD	P-16	TG	A	HM	P-16	-	-	23	-	-	-	-	-	6-
136B	MAIL RM E	3'-0" x 7'-6"	C	WD	P-2	TG	A	HM	P-2	-	-	23	-	-	-	-	-	6-
137	RECVN N	3'-0" x 7'-6"	C	HM	P-2	-	A	HM	P-2	-	-	24	-	X	X	-	-	INT 16-
137B	RECVN EXT	3'-0" x 7'-6"	IS	P-16	TG	-	A	HM	P-16	-	-	25	X	X	-	-	-	10/A63 12.3, 4, 6
137C	RECVN ROLL ON	10'-0" x 8'-6"	1	STL	GALV	-	STL	GALV	-	-	-	-	-	-	5/A63	6/A63	7/A63	OVERHEAD COILING DR
138A	STORAGE W	4'-0" x 7'-6"	A	HM	P-2	-	A	HM	P-2	-	-	26	-	-	-	-	-	6
138B	STORAGE N	4'-0" x 7'-6"	A	HM	P-2	-	A	HM	P-2	-	-	26	-	-	-	-	-	6
142	SO LOBBY EXT	4'-0" x 8'-0"	E	AL	AN	T-IG	AL	AN	-	-	-	-	-	-	-	-	-	10/A63 2.3.4
143	VENDING	3'-0" x 7'-2"	CO	-	-	-	-	-	-	-	-	21	X	X	-	-	-	10/A63 2.3.4
143A	STORAGE	3'-0" x 7'-0"	A	HM	P-2	-	A	HM	P-2	-	-	11	-	-	-	-	-	-
143B	TRAVEL	3'-0" x 7'-0"	A	HM	P-2	-	A	HM	P-2	-	-	11	-	-	-	-	-	-
144	COMM CLOS	3'-0" x 7'-0"	A	HM	P-6	-	A	HM	P-6	-	-	11	-	-	-	-	-	-
145	COMM CLOS	3'-0" x 7'-0"	A	HM	P-2	-	A	HM	P-2	-	-	11	-	-	-	-	-	-
146	STOR CLOS	3'-0" x 7'-0"	A	WD	S-3	-	A	HM	P-6	-	-	11	-	-	-	-	-	-
147	ELEC CLOS	3'-0" x 7'-0"	A	HM	P-2	-	A	HM	P-2	-	-	11	-	-	-	-	-	-
148	COMM CLOS	3'-0" x 7'-0"	A	HM	P-2	-	A	HM	P-2	-	-	11	-	-	-	-	-	-
149	JAN CLOS	3'-0" x 7'-0"	A	HM	P-2	-	A	HM	P-2	-	-	11	-	-	-	-	-	WC 6
150	WC	3'-0" x 7'-0"	A	WD	S-3	-	A	HM	P-6	-	-	27	-	X	-	-	-	WC 6
151	WC	3'-0" x 7'-0"	A	WD	S-3	-	A	HM	P-6	-	-	27	-	X	-	-	-	WC 6
152	WC	3'-0" x 7'-0"	A	WD	S-3	-	A	HM	P-6	-	-	27	-	X	-	-	-	WC 6
153	WC	3'-0" x 7'-0"	A	WD	S-3	-	A	HM	P-6	-	-	27	-	X	-	-	-	WC 6
154	HALL	4'-6" x 7'-2"	CO	-	-	-	-	-	-	-	-	-	-	-	-	-	-	-
155	CONF	3'-0" x 7'-0"	F	WD	S-3	TG	A	HM	P-6	TG	-	12	-	-	-	-	-	6- RELITES PER ELEV
156	CONF	3'-0" x 7'-0"	F	WD	S-3	TG	A	HM	P-6	TG	-	12	-	-	-	-	-	6- RELITES PER ELEV
157	CONF	3'-0" x 7'-0"	F	WD	S-3	TG	A	HM	P-6	TG	-	12	-	-	-	-	-	6- RELITES PER ELEV
158	CONF	3'-0" x 7'-0"	F	WD	S-3	TG	A	HM	P-6	TG	-	12	-	-	-	-	-	6- RELITES PER ELEV
159	OPEN OFF. EXT	3'-0" x 7'-0"	F	W-CL	T-IG	F	W-CL	P-16	T-IG	-	-	19	X	X	-	-	-	10/A63 2.3.4.6 WDO MANUF

SECOND FLOOR

NO.	DOOR LEAF	SIZE (W x H)	TYPE	MATL.	FIN.	LITE	TYPE	MATL.	FIN.	RELITE	FIRE RATG	GRP	HW	CLSR	HEAD	JAMB	THRESH	NOTES (NUMBERS REFER TO KEY NOTES ABOVE)
200B	STORAGE AREA	3'-0" x 7'-0"	C	WD	S-X	TG	A	HM	P-X	-	-	12	-	-	-	-	-	-
200C	WTR HTR CL	3'-0" x 6'-8"	A	HM	P	-	A	HM	P	-	-	12	-	-	-	-	-	-
202	DATA ROOM	4'-0" x 8'-0"	G	GLASS	-	TG	-	-	-	-	-	15	-	X	-	-	-	2, 3, 4 HERCULITE-TYPE DR
205	CONFERENCE	3'-0" x 7'-0"	F	WD	S-3	TG	A	HM	P-6	-	-	12	-	-	-	-	-	6
206	ELEC CLOS	Pr 2'-6" x 7'-0"	A	WD	S-3	-	A	HM	P-6	-	-	18	-	-	-	-	-	-
207	CONFERENCE	3'-0" x 7'-0"	F	WD	S-3	TG	A	HM	P-6	-	-	12	-	-	-	-	-	6
208	WC	3'-0" x 7'-0"	A	WD	S-3	-	A	HM	P-6	-	-	27	-	X	-	-	-	6
209	WC	3'-0" x 7'-0"	A	WD	S-3	-	A	HM	P-6	-	-	27	-					