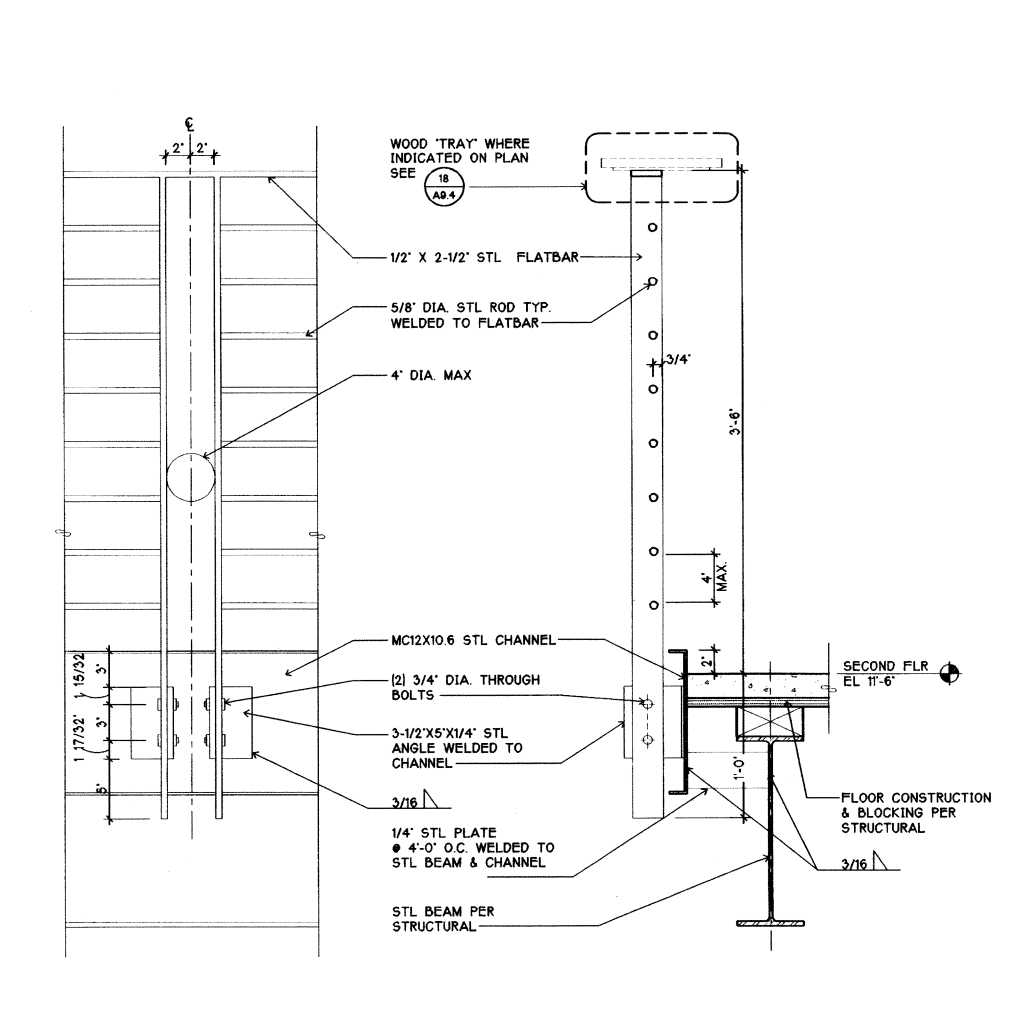
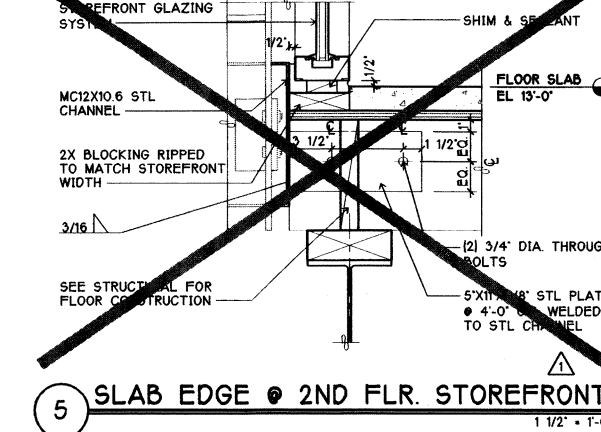


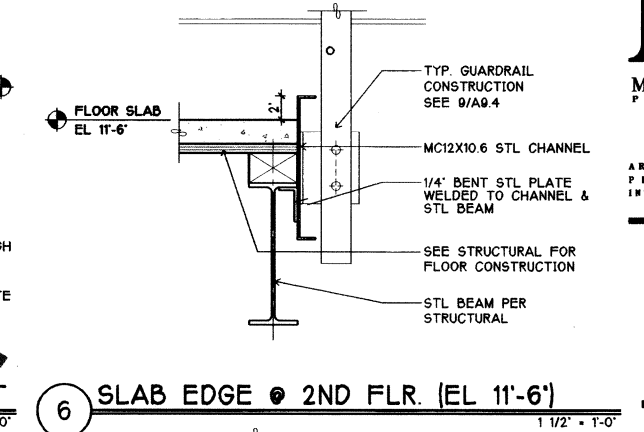
7 GUARDRAIL • STAIR #2 & #3. (SIM. • STAIR #1 & #5) 1/2" = 1'-0"



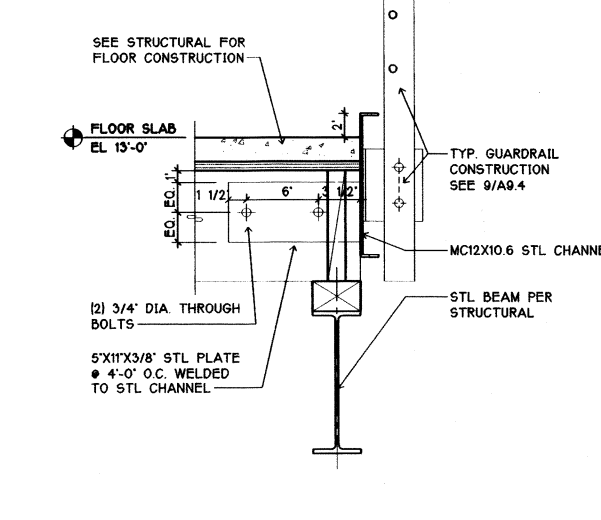
9 GUARDRAIL / SLAB EDGE • SECOND FLR. (EL11'-6"). SEE 5, 6, 11, 12 • 22/A9.4 FOR DIFFERENT SLAB EDGE CONDITIONS 1/2" = 1'-0"



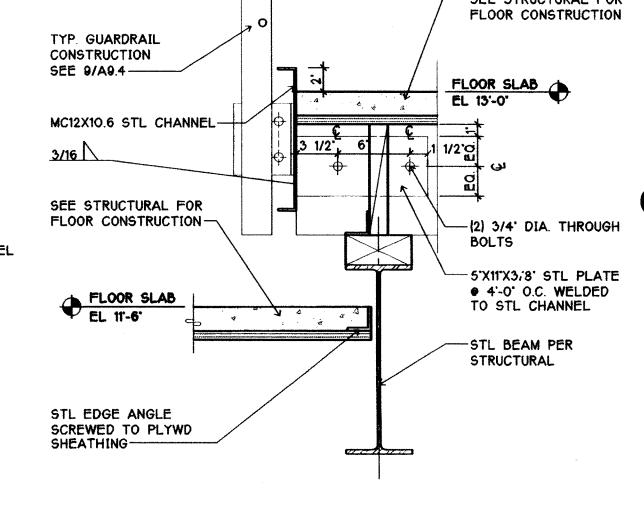
5 SLAB EDGE • 2ND FLR. STOREFRONT 1/2" = 1'-0"



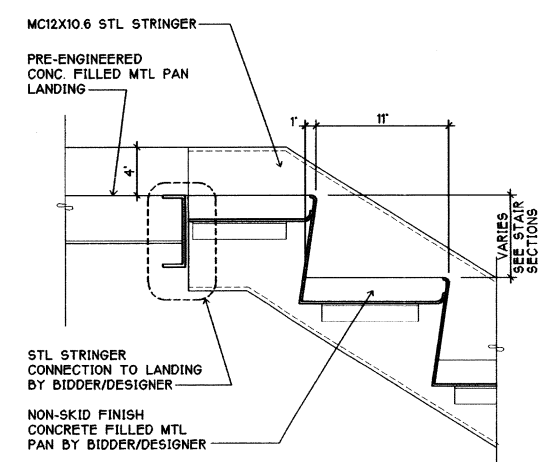
6 SLAB EDGE • 2ND FLR. (EL 11'-6") 1/2" = 1'-0"



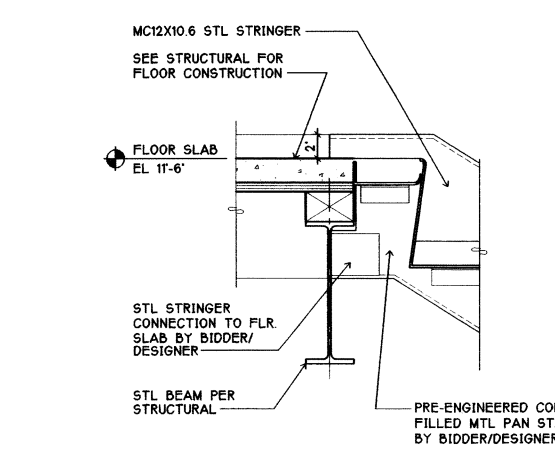
11 SLAB EDGE • SECOND FLR. (EL 13'-0") 1/2" = 1'-0"



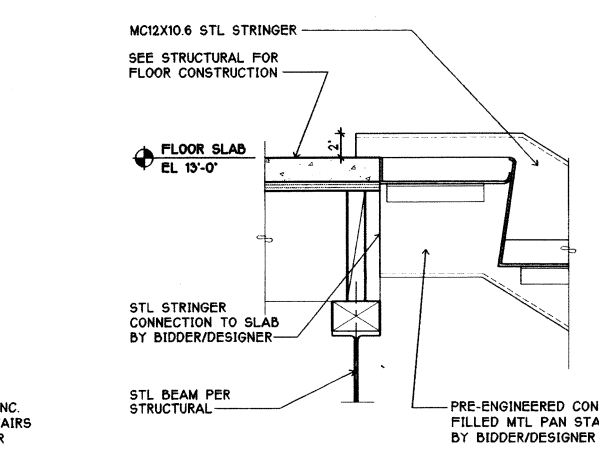
12 SLAB EDGE • FLR. LEVEL CHANGE 1/2" = 1'-0"



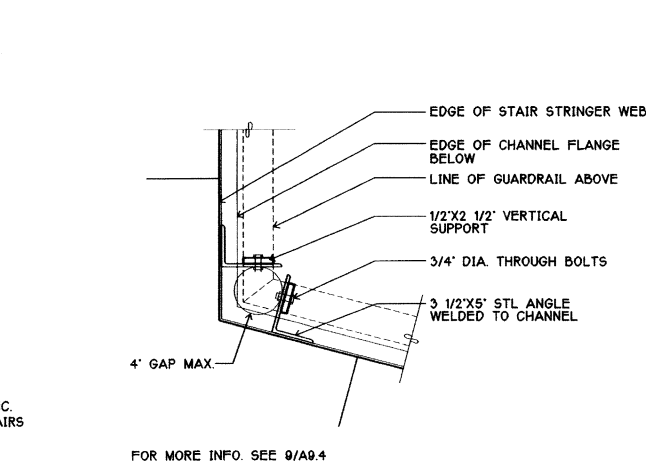
13 STAIR LANDING & TREADS • STAIRS 2 & 3 1/2" = 1'-0"



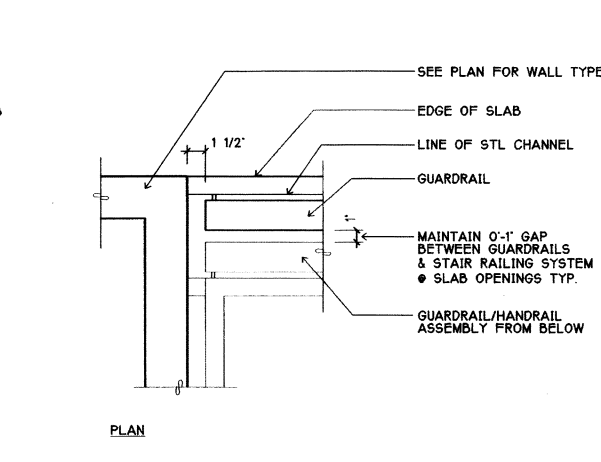
14 STAIR • 2ND FLR. SLAB STAIR 2 1/2" = 1'-0"



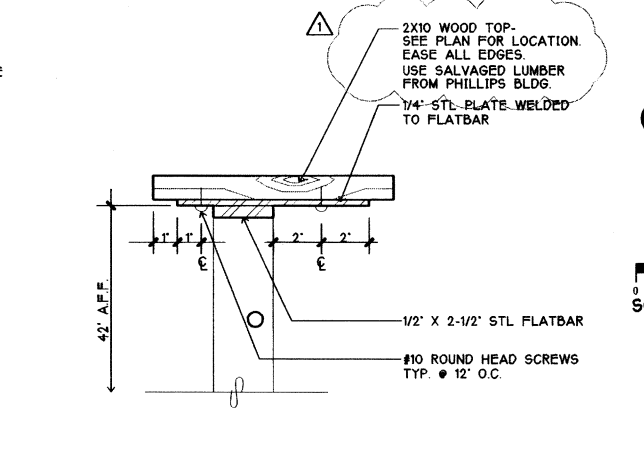
15 STAIR • 2ND FLR. SLAB STAIR 3 1/2" = 1'-0"



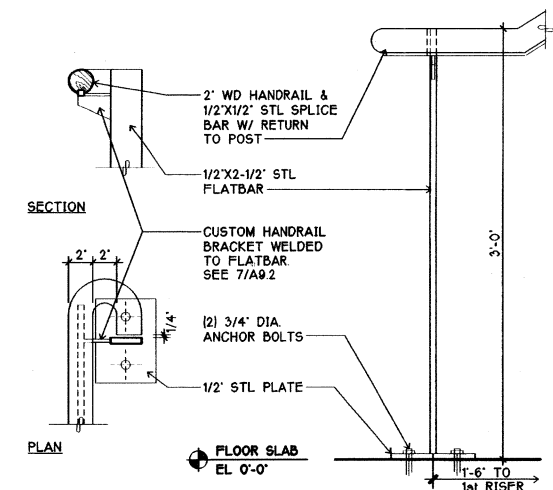
16 TYP. CORNER • STAIRS 2 & 3 U.N.O. GUARDRAIL SIM. 1/2" = 1'-0"



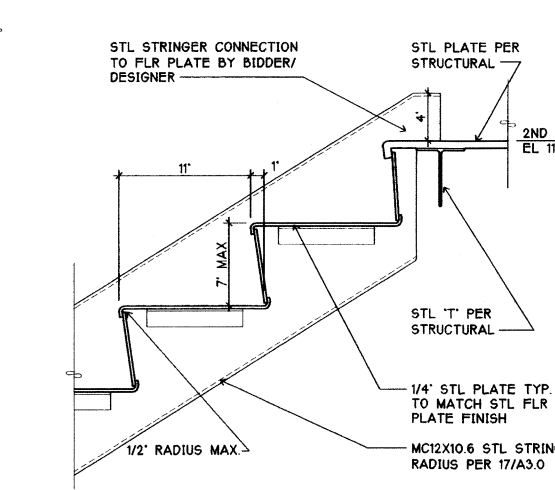
17 GUARDRAIL AT WALL TYP. 1/2" = 1'-0"



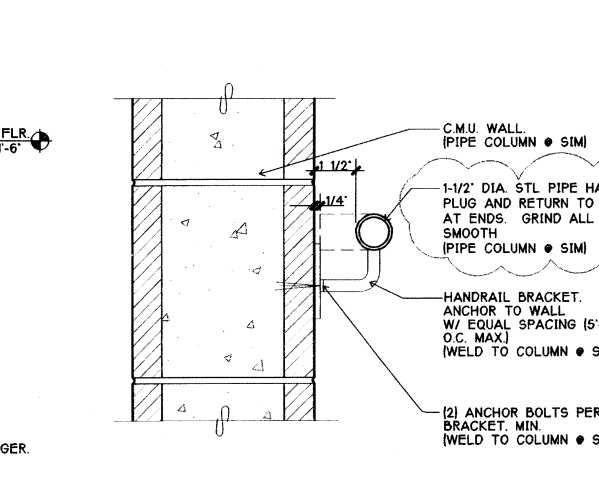
18 WOOD TOP • GUARDRAIL ALONG SITTING AREA 225 3" = 1'-0"



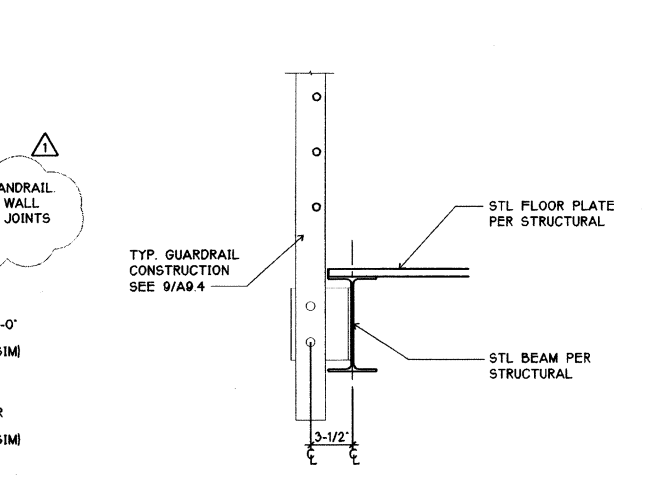
19 NEWELL POST • STAIR 2 & 3 1/2" = 1'-0"



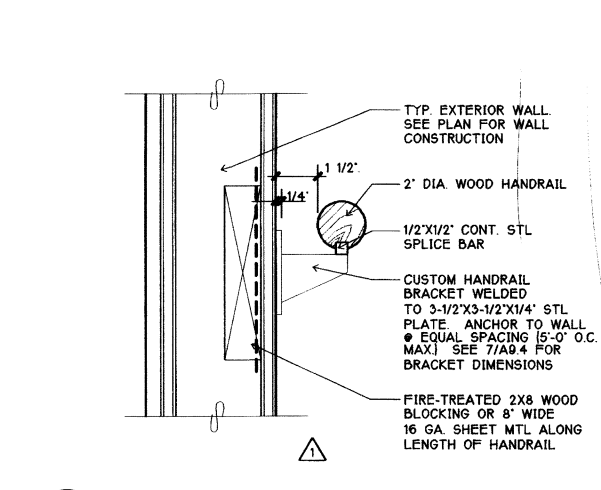
20 TOP OF STAIR 1 • 2ND FLR. SIM. • LANDING 1/2" = 1'-0"



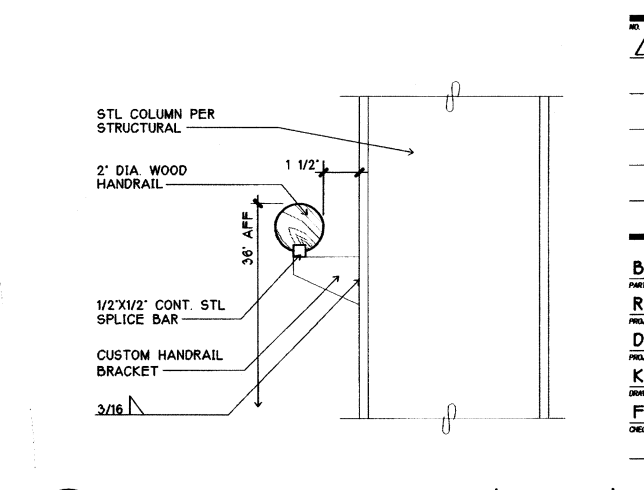
21 STL HANDRAIL • STAIR 1 3" = 1'-0"



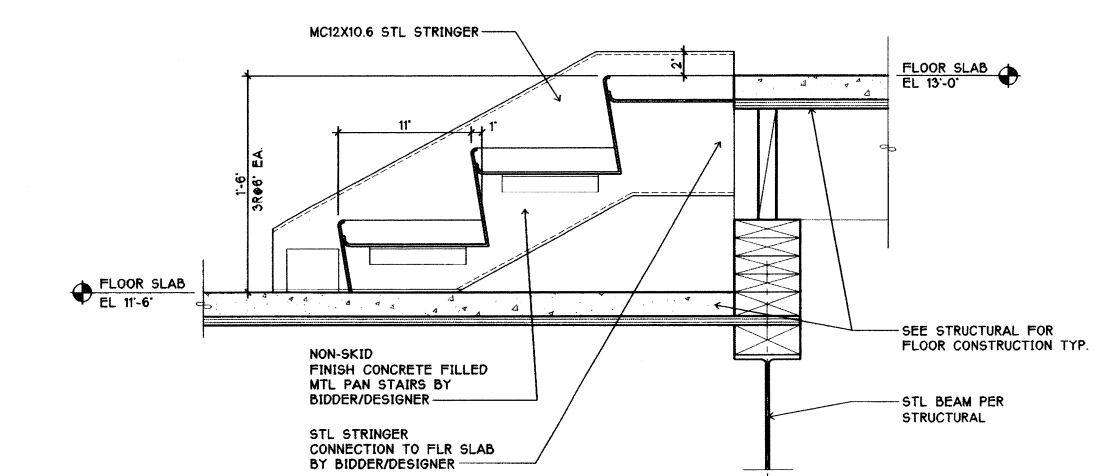
22 GUARDRAIL AT DATA TOWER 1/2" = 1'-0"



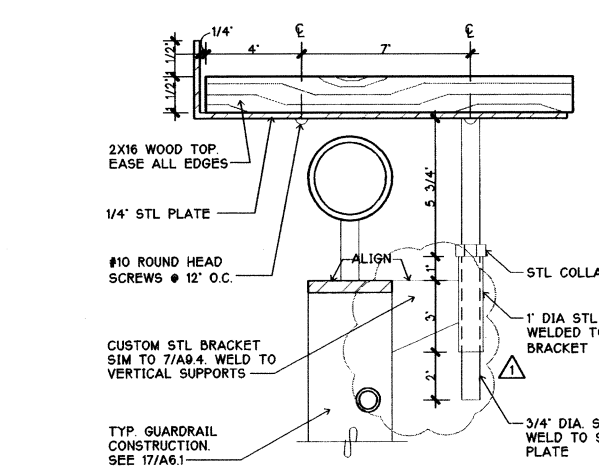
23 TYP. WOOD HANDRAIL • STAIR 2 & 3 3" = 1'-0"



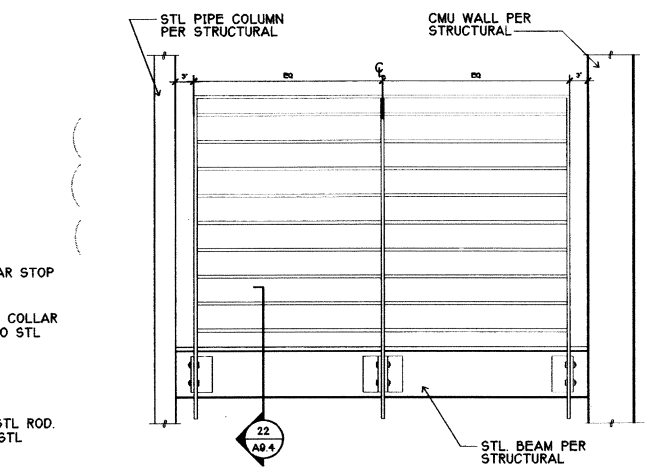
24 WOOD HANDRAIL • COLUMN (STAIR 4) 3" = 1'-0"



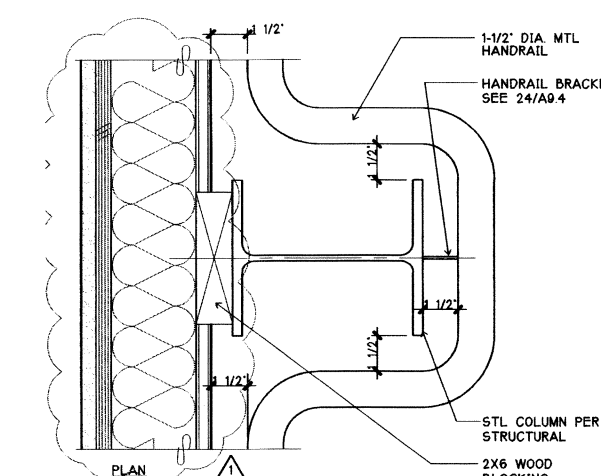
25 SECTION THROUGH STAIR #4 1/2" = 1'-0"



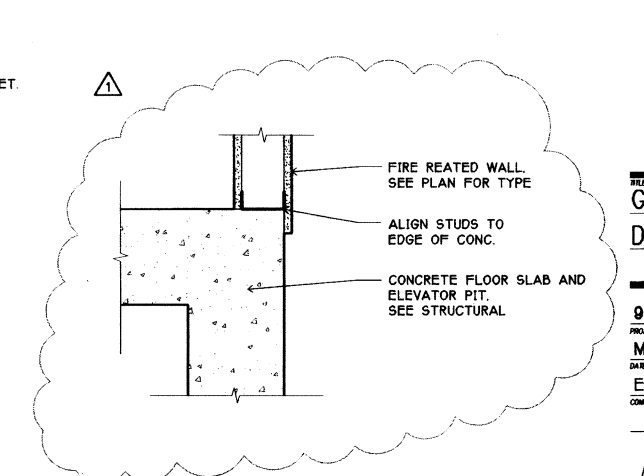
27 DEMOUNTABLE WD TOP • GUARDRAIL OF DATA TOWER INT. BALCONY 3" = 1'-0"



28 GUARDRAIL • DATA TOWER 3/4" = 1'-0"



29 HANDRAIL • RAMP 3" = 1'-0"



30 WALL EDGE DETAIL • ELEVATOR PIT 1/2" = 1'-0"



SUN HEALTHCARE SYSTEMS, INC.
CAMPUS: PHASE ONE
ANACORTES, WASHINGTON

SCALE 1/2" = 1'-0"

DATE	REVISION
5/18/99	CONSTRU. SET

BG	DESIGNED BY CHANCE
RF	DESIGNED BY
DAS/DWG	DRAWN BY
KT	CHECKED BY
FB	DATE

2029 REGISTERED ARCHITECT
THOMAS D. EMRICH
STATE OF WASHINGTON

98060.05
CONSTRUCTION SET
MAY 18, 1999
DATE
E:\98060\CDIA9-4
CONSTR SET