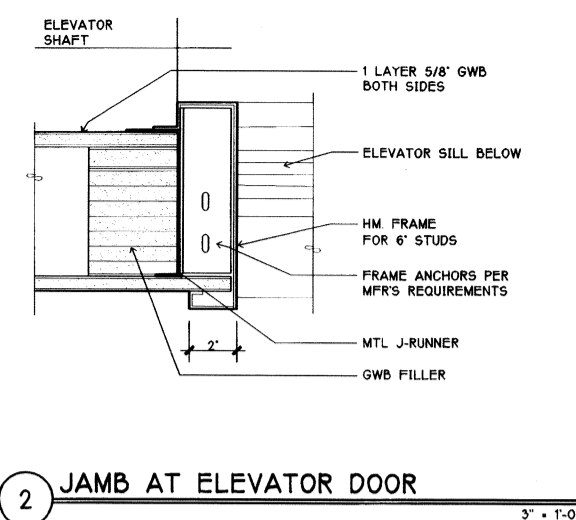
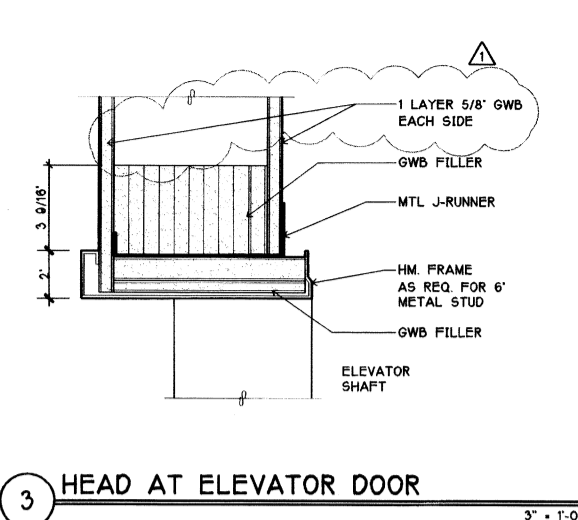


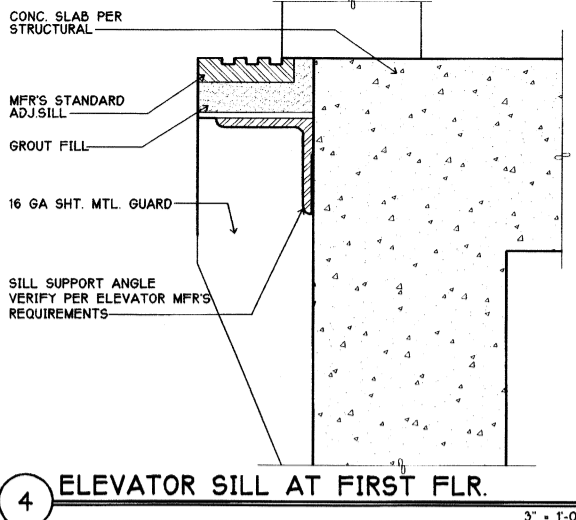
1 ELEVATOR MACHINE ROOM CEILING 3' x 1'-0"



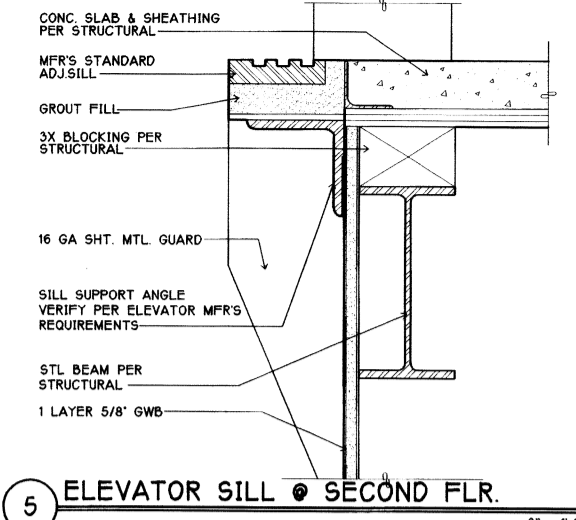
2 JAMB AT ELEVATOR DOOR 3' x 1'-0"



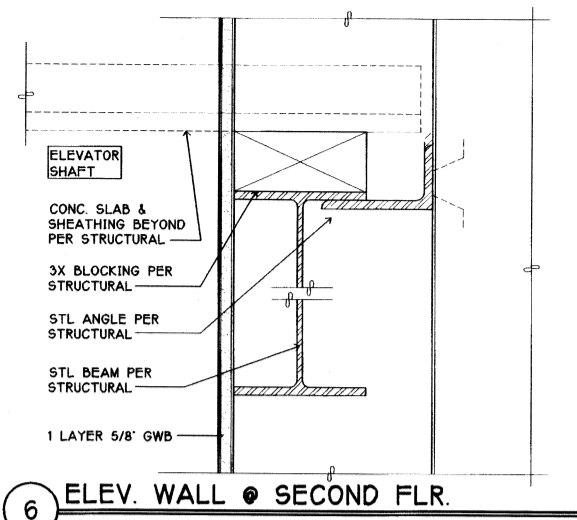
3 HEAD AT ELEVATOR DOOR 3' x 1'-0"



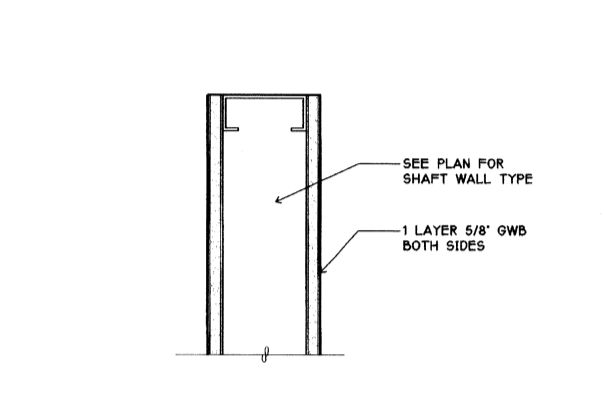
4 ELEVATOR SILL AT FIRST FLR. 3' x 1'-0"



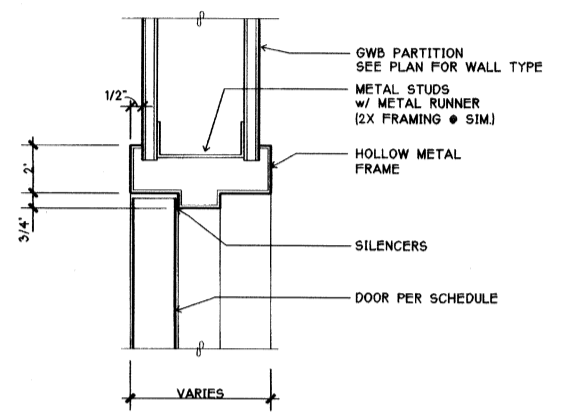
5 ELEVATOR SILL SECOND FLR. 3' x 1'-0"



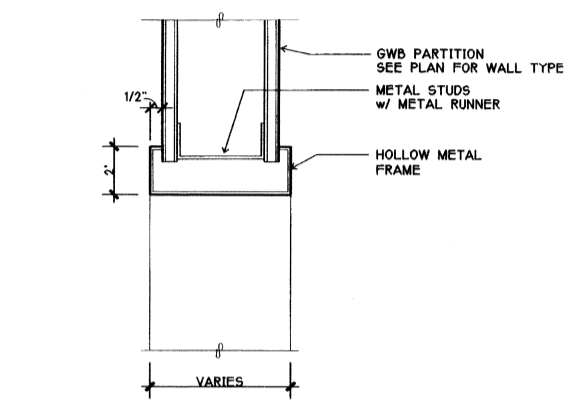
6 ELEV. WALL SECOND FLR. 3' x 1'-0"



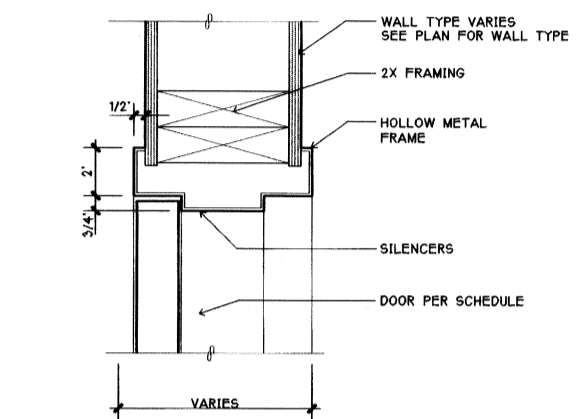
7 TOP OF ELEV. SHAFT WALL 3' x 1'-0"



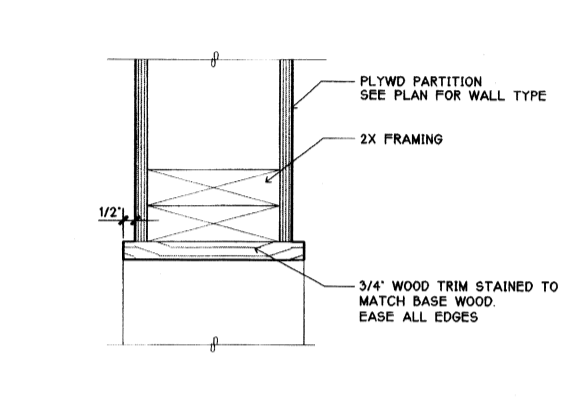
8 HEAD DETAIL GWB WALL/JAMB SIM. 3' x 1'-0"



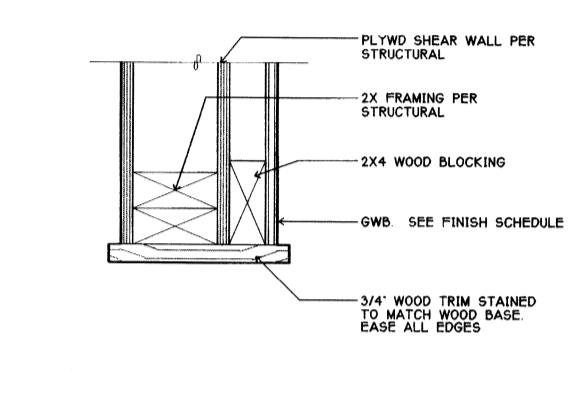
9 HEAD CASED OPENING/JAMB SIM. 3' x 1'-0"



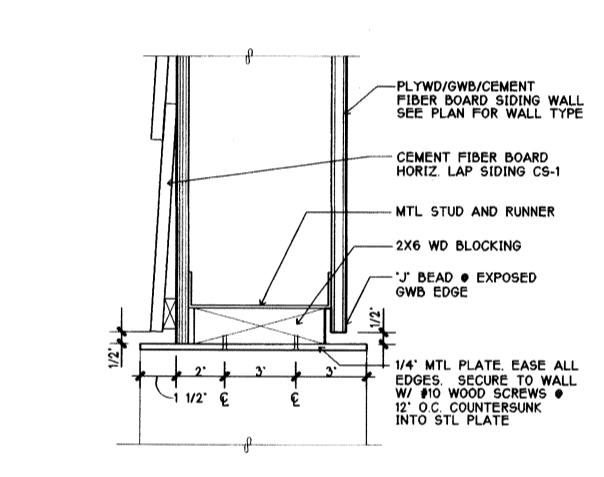
10 HEAD DETAIL PLYWD WALL JAMB SIM. 3' x 1'-0"



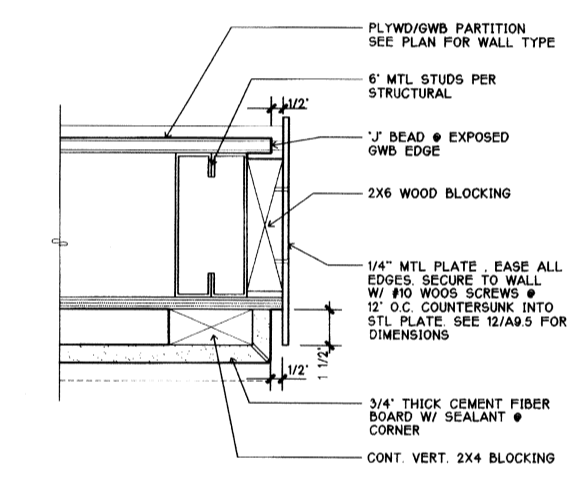
11 HEAD OPENING OF PLYWD WALL JAMB SIM. 3' x 1'-0"



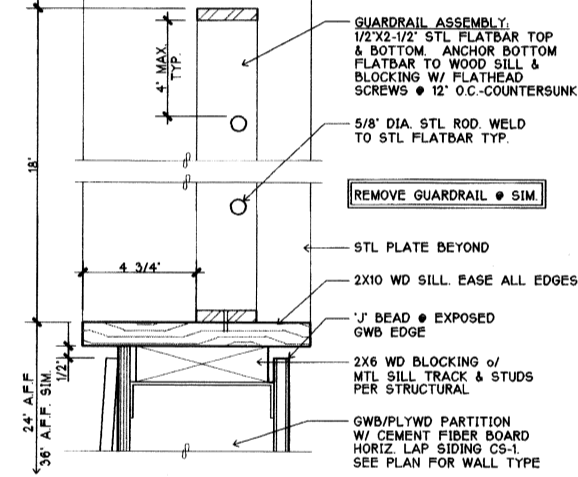
12 JAMB FURRED PLYWD WALL 3' x 1'-0"



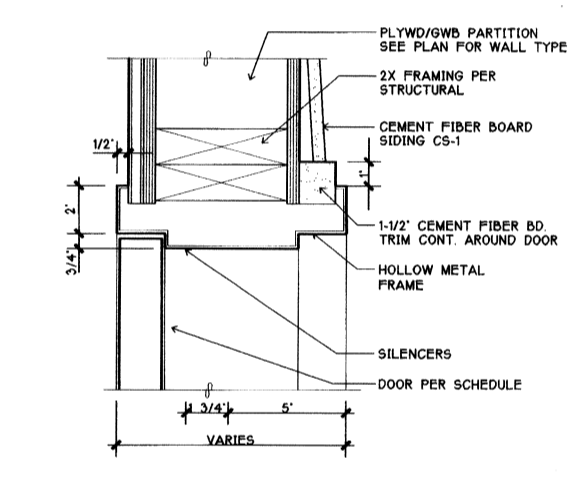
13 HEAD OPENING IN CFB WALL JAMB SIM. 3' x 1'-0"



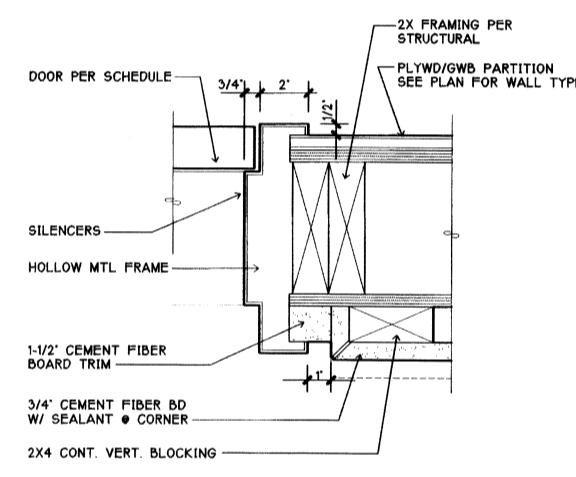
14 JAMB OF OPENING CFB WALL BELOW WATER TABLE 3' x 1'-0"



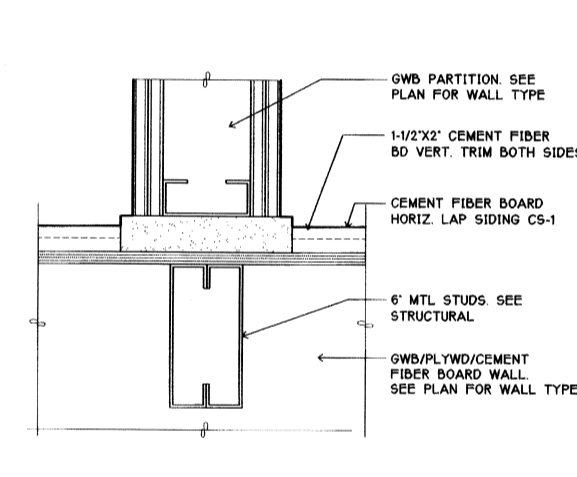
15 SILL 2ND FLR OPENING IN CFB WALL SIM. FIRST FLR. OPENING 3' x 1'-0"



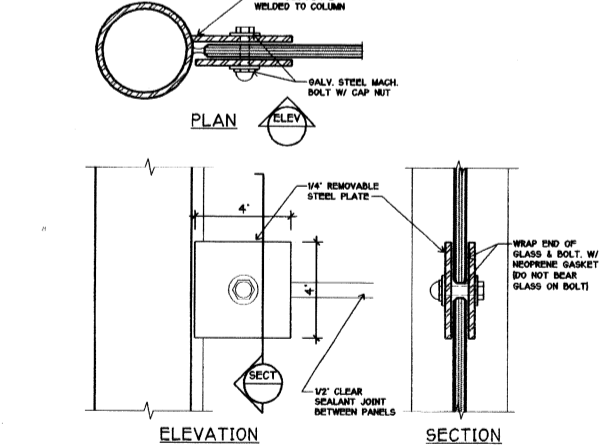
16 HEAD CEMENT FIBER BOARD WALL JAMB SIM. 3' x 1'-0"



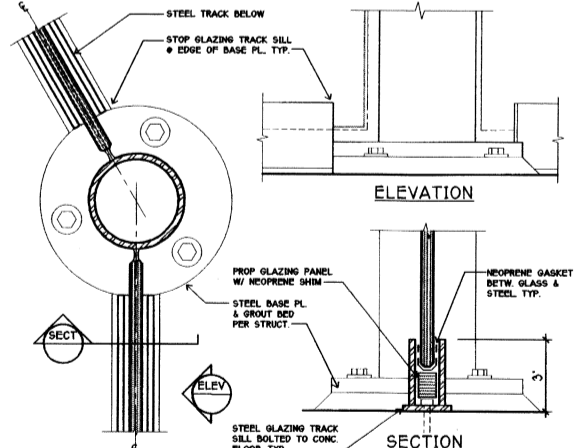
17 JAMB BELOW WATER TABLE 3' x 1'-0"



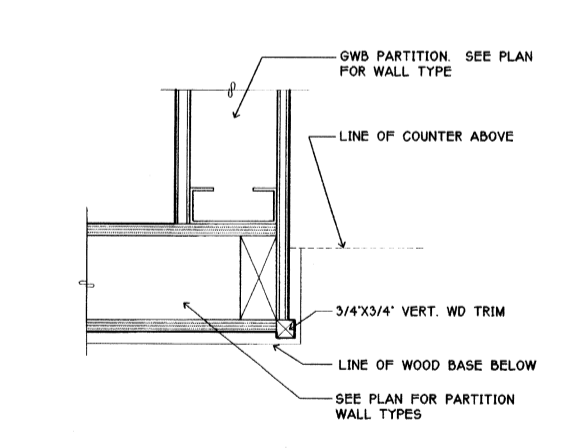
18 INTERSECTION OF GWB & CFB WALL 3' x 1'-0"



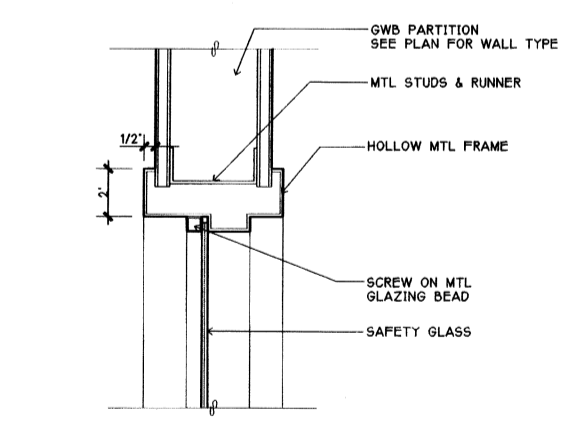
19 STL. SPLICE TAB DATA RM. GLAZ. 3' x 1'-0"



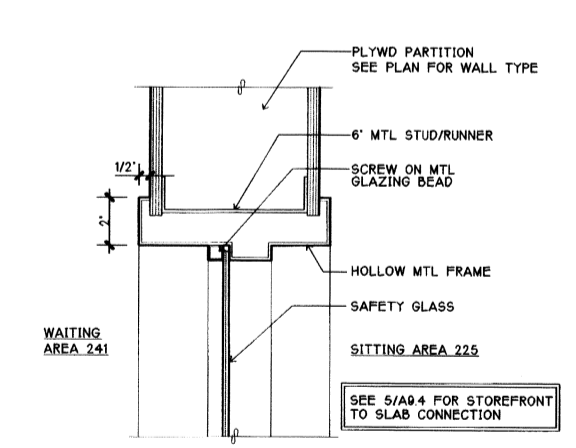
20 SILL 1ST FL. DATA RM. GLAZ. 3' x 1'-0"



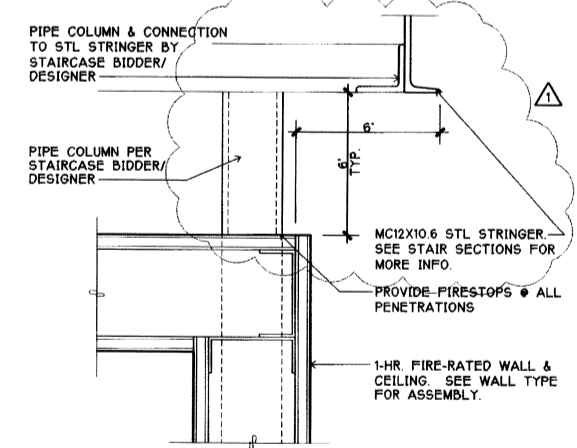
21 CORNER COFFEE STATION TYP. SIM. HEAD 3' x 1'-0"



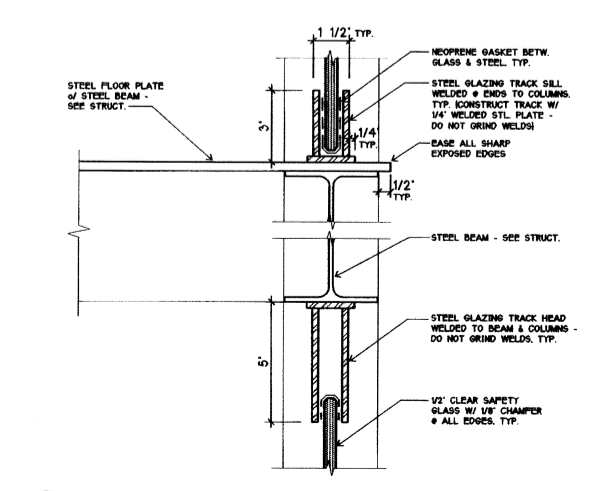
22 HEAD CONFERENCE RM WINDOW 3' x 1'-0"



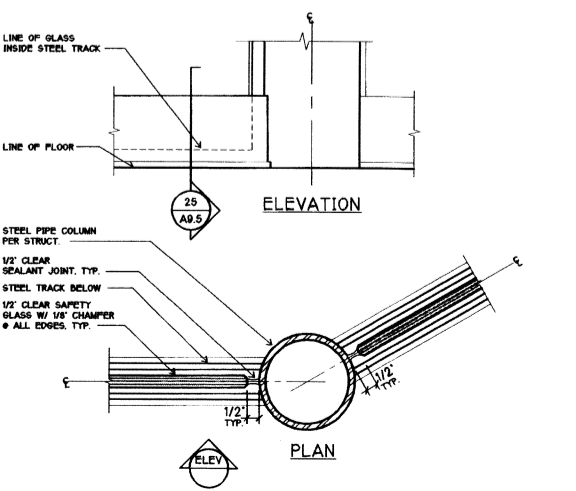
23 HEAD 2ND FLR STOREFRONT TO WAITING AREA 241 (JAMB SIM.) 3' x 1'-0"



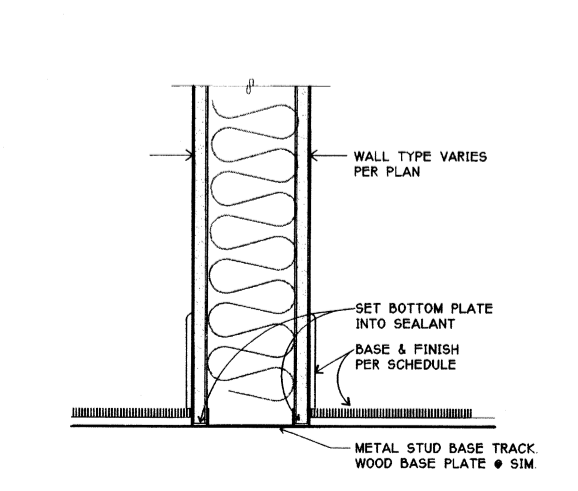
24 STORAGE UNDER STAIR 3 3' x 1'-0"



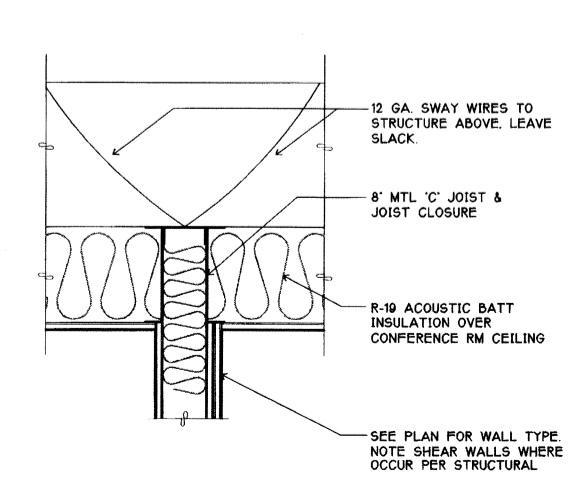
25 TYP. HEAD & SILL DATA RM. GLAZ. 3' x 1'-0"



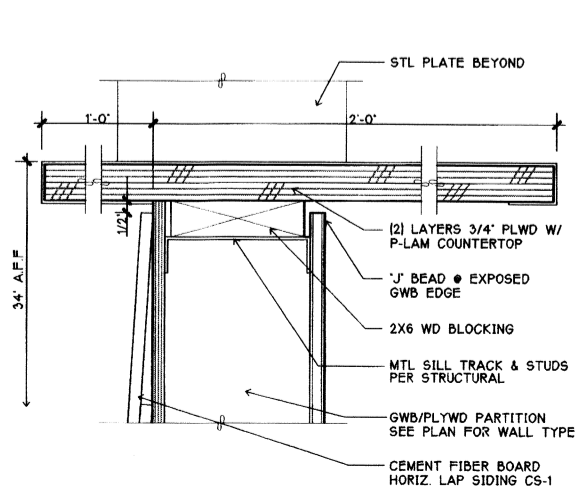
26 TYP. JAMB DATA RM. GLAZ. 3' x 1'-0"



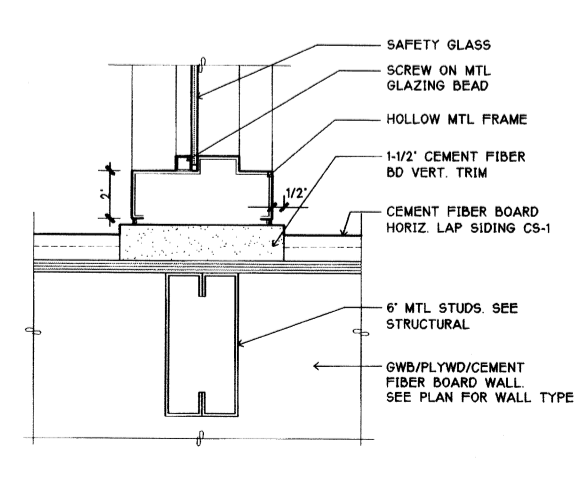
27 MTL STUD PARTITION BASE DETAIL WOOD STUD WALL SIM. 1 1/2\"/>



28 PARTITION HEAD CONFERENCE RM. 1 1/2\"/>



29 COUNTERTOP LOUNGE 114 3' x 1'-0"

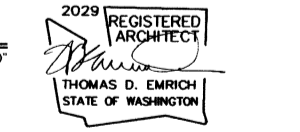


30 INTERSECTION OF WINDOW CFB WALL 3' x 1'-0"



SUN HEALTHCARE SYSTEMS, INC.
CAMPUS: PHASE ONE
ANACORTES, WASHINGTON

DATE	5/18/99	CONSTRU. SET
BY	THOMAS D. EMRICH	DESIGNER
RF		
BG		
RF		
DAS/DWG		
DAS/KT/DWG		
FB		
CHK		



INTERIOR DETAILS	
98060.05	
MAY 18, 1999	
E:\98060\CD\A9-5	

A9.5 CONSTRUCTION SET