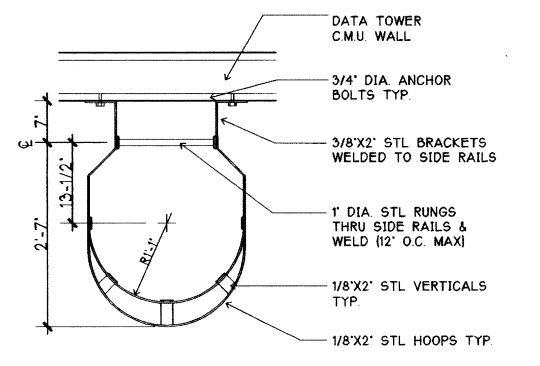
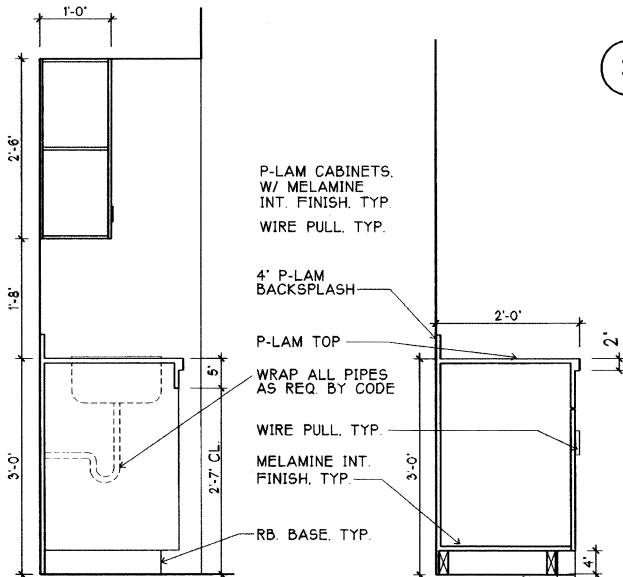


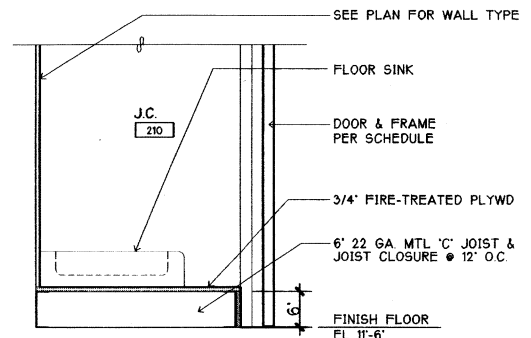
1 **DETAIL OF PENETRATIONS AND ANCHOR POINTS FOR CONTROL OF PLUMBING NOISE**  
NTS



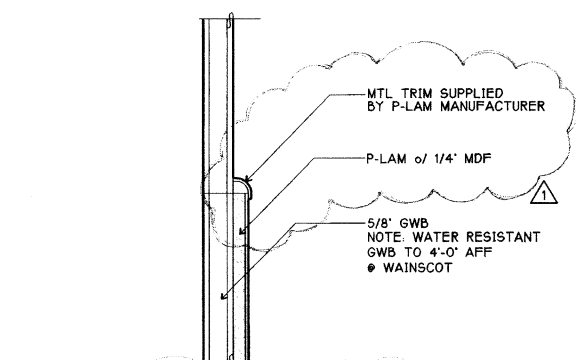
7 **ACCESS LADDER - PLAN**  
3/4" x 1'-0"



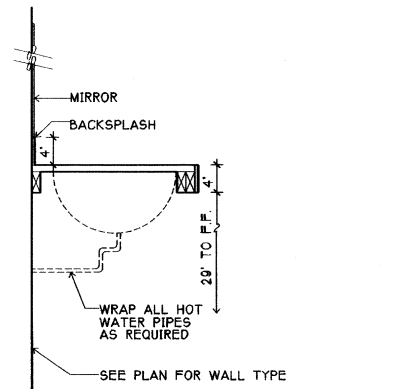
8 **SECTIONS @ COFFEE STATION**  
3/4" x 1'-0"



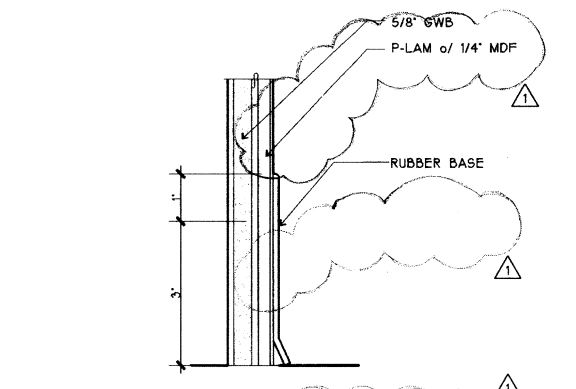
3 **SECTION THRU J.C. 210**  
3/4" x 1'-0"



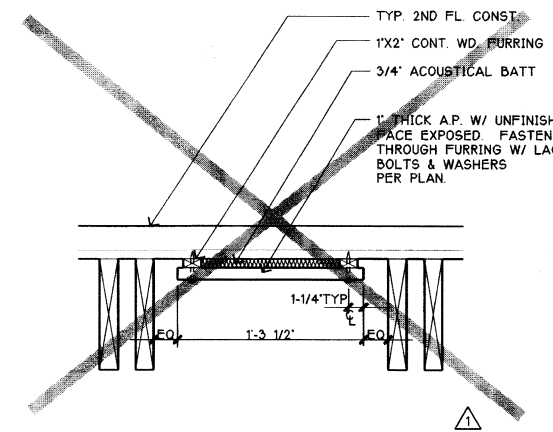
4 **P-LAM TRIM @ WC WALLS**  
HALF SIZE



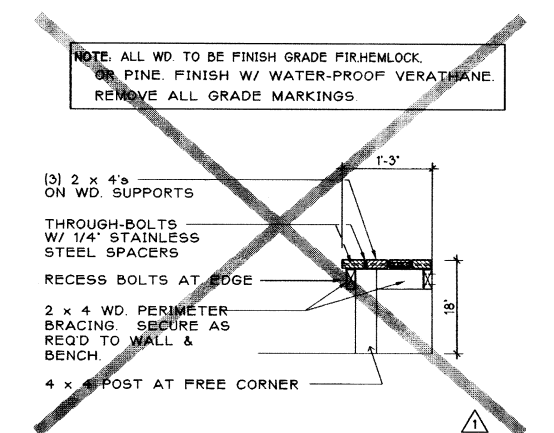
9 **RESTROOM COUNTERS (WC 110 & 113)**  
3/4" x 1'-0"



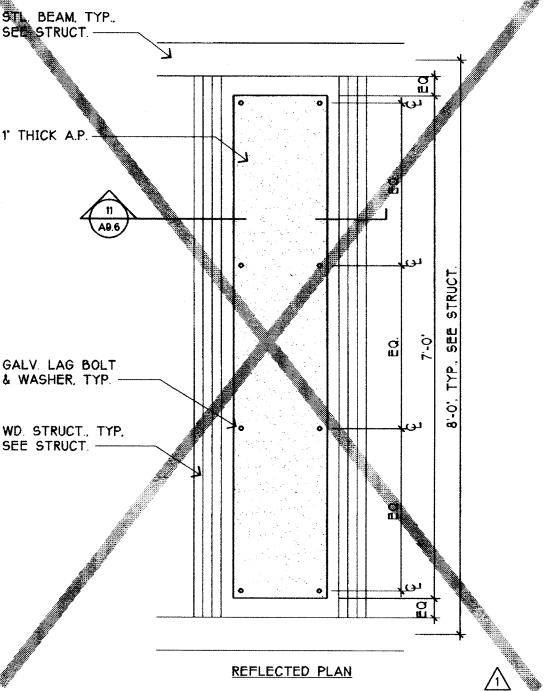
10 **TYP. BASE @ P-LAM WAINSCOT**  
HALF-SIZE



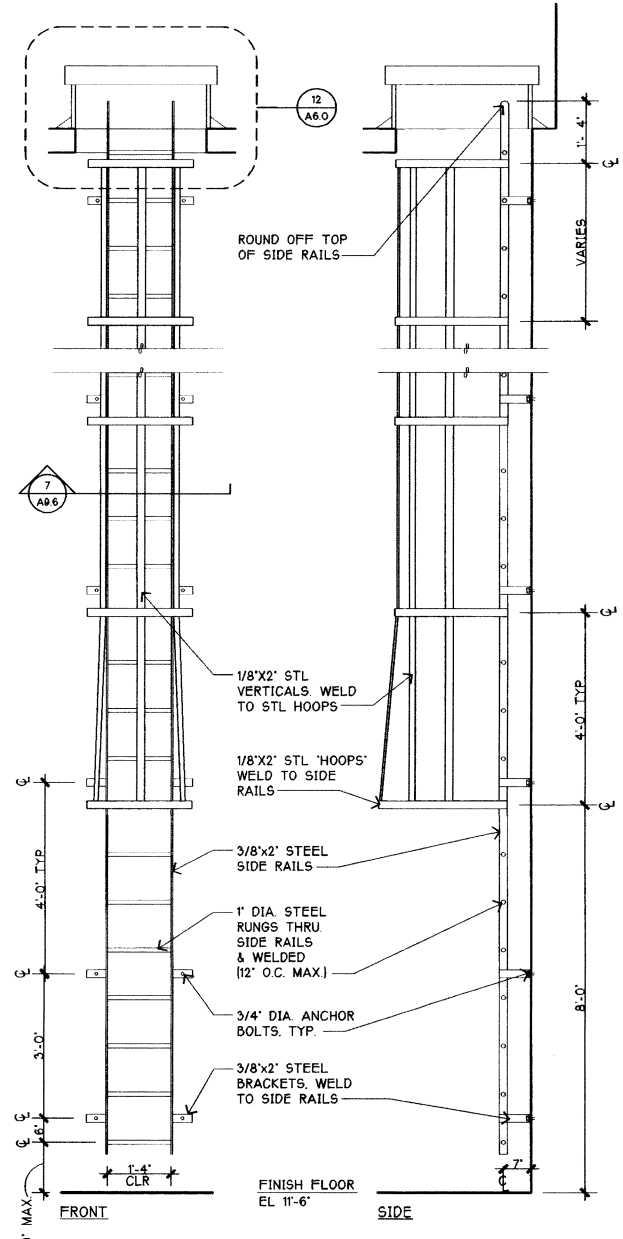
11 **1ST FL. ACOUST. PANEL - SECTION**  
1 1/2" x 1'-0"



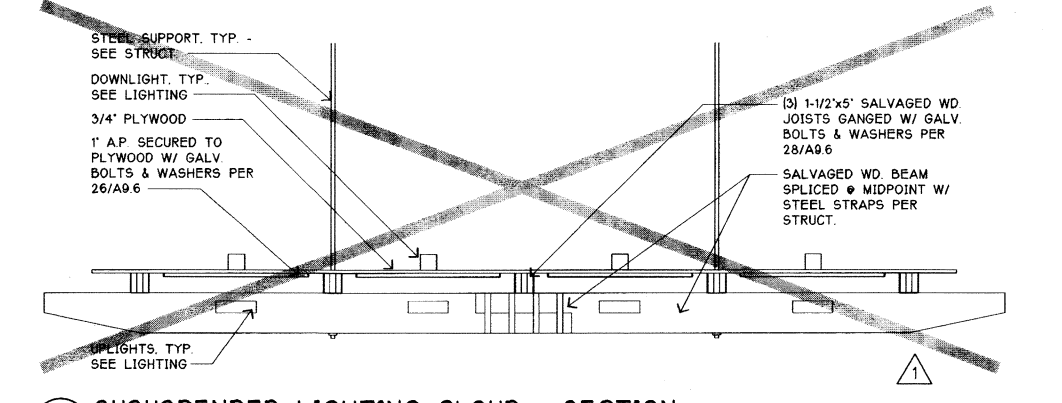
6 **BENCH-SECTION - SHOWER**  
3/4" x 1'-0"



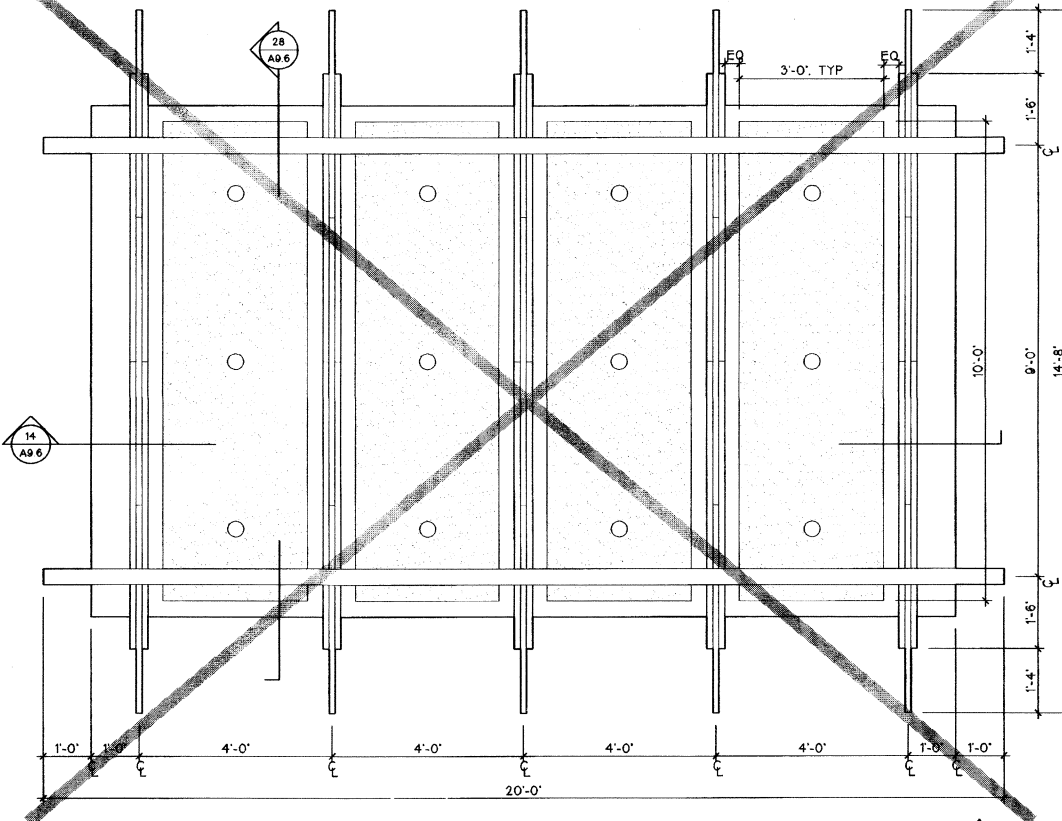
18 **1ST FL. ACOUST. PANEL - TYP. BAY**  
3/4" x 1'-0"



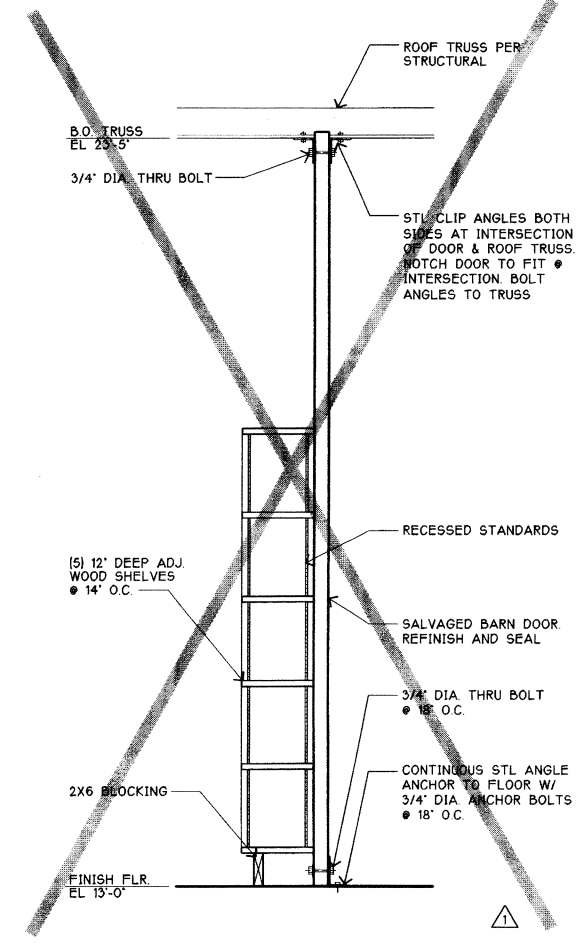
25 **ACCESS LADDER & ROOF HATCH**  
1/2" x 1'-0"



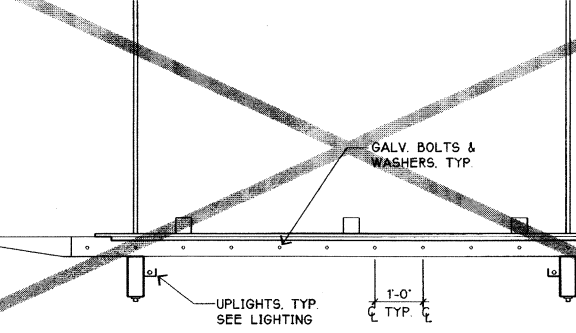
14 **SUSPENDED LIGHTING CLOUD - SECTION**  
1/2" x 1'-0"



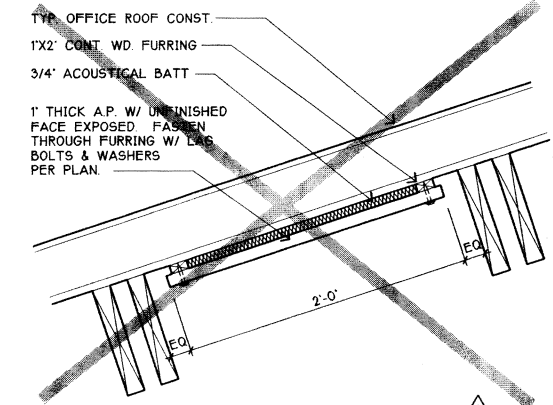
26 **SUSPENDED LIGHTING CLOUD - REFLECTED PLAN**  
1/2" x 1'-0"



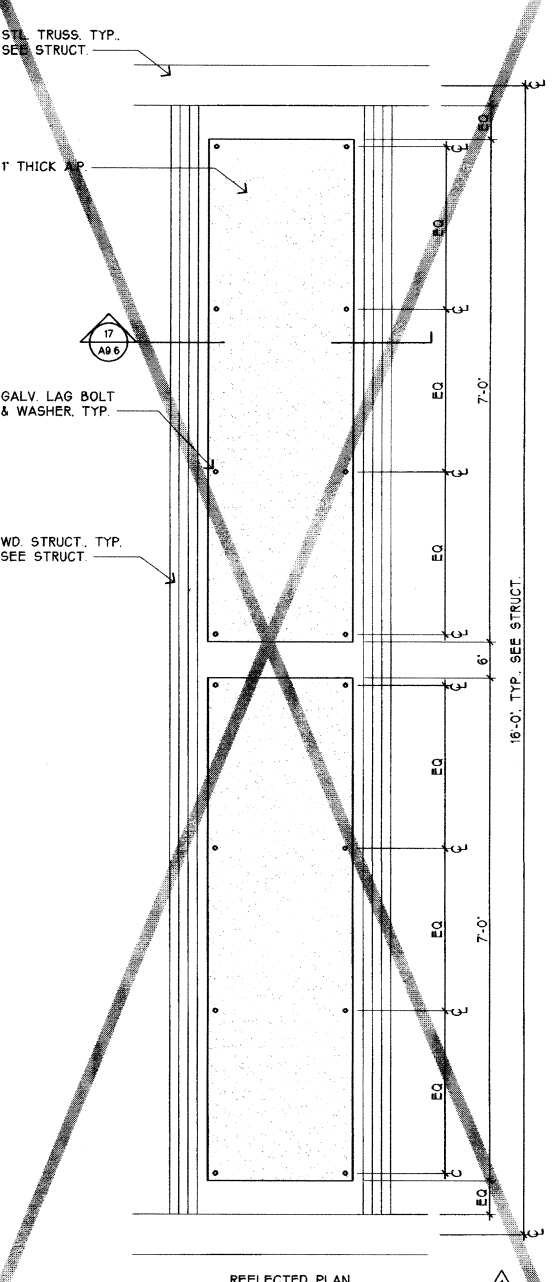
22 **BARN DOOR PARTITION & SHELVES**  
3/4" x 1'-0"



28 **SUSPENDED LIGHTING CLOUD - REFLECTED PLAN**  
1/2" x 1'-0"



17 **2ND FL. ACOUST. PANEL - SECTION**  
1 1/2" x 1'-0"



30 **2ND FL. ACOUST. PANEL - TYP. BAY**  
3/4" x 1'-0"



**SUN HEALTHCARE SYSTEMS, INC.**  
CAMPUS: PHASE ONE  
ANACORTES, WASHINGTON

SCALE 3/4"=1'-0"  
SCALE 1/2"=1'-0"

5/18/99 CONSTRU SET

BG  
RF  
PROJECT MANAGER  
DAS/DWG  
PROJECT ARCHITECT  
DAS/KT/DWG  
DRAWN  
FB

2029 REGISTERED ARCHITECT  
THOMAS D. ENRICH  
STATE OF WASHINGTON

INTERIOR  
DETAILS

98060.00  
PROJECT #  
MAY 12, 1999  
JOB #  
E:\98060\CD\A9-6

A9.6 CONSTRUCTION SET