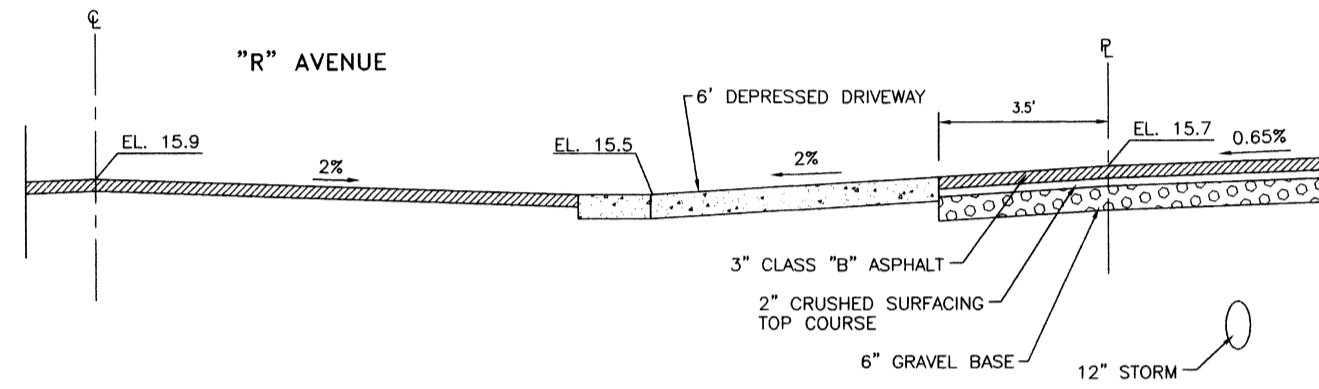


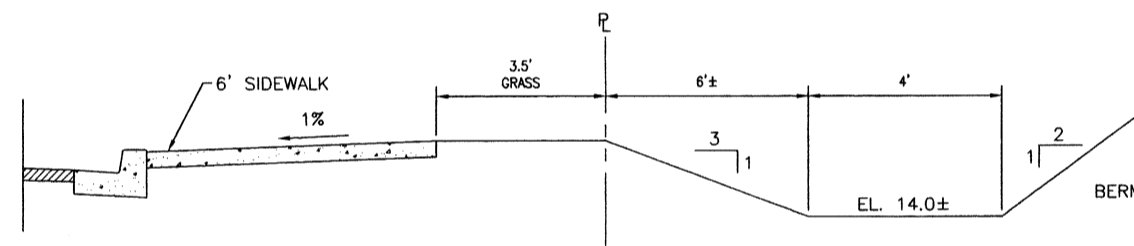
SECTION A - A
NO SCALE

(SEE ALTERNATE PAVING SECTION ON SHEET C11)

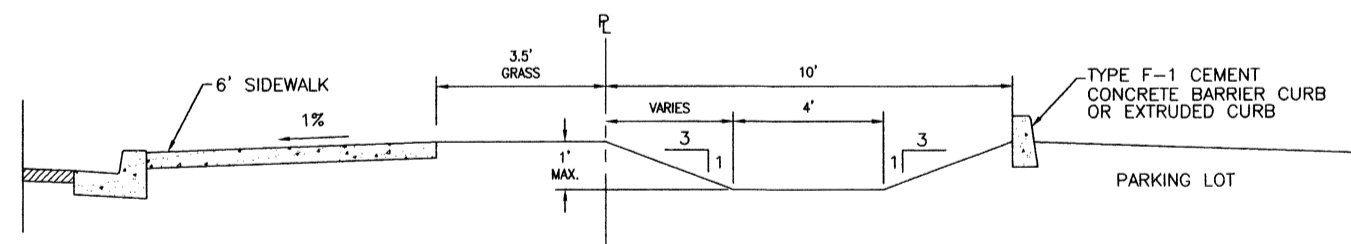


SECTION B - B
NO SCALE

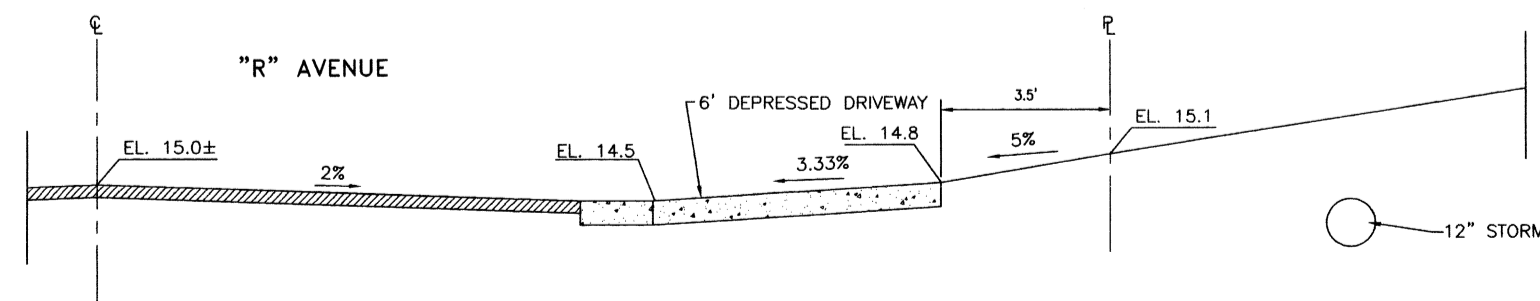
(SEE ALTERNATE PAVING SECTION ON SHEET C11)



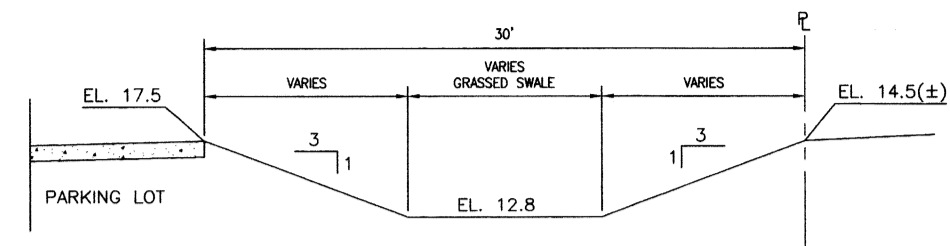
SECTION C - C
NO SCALE



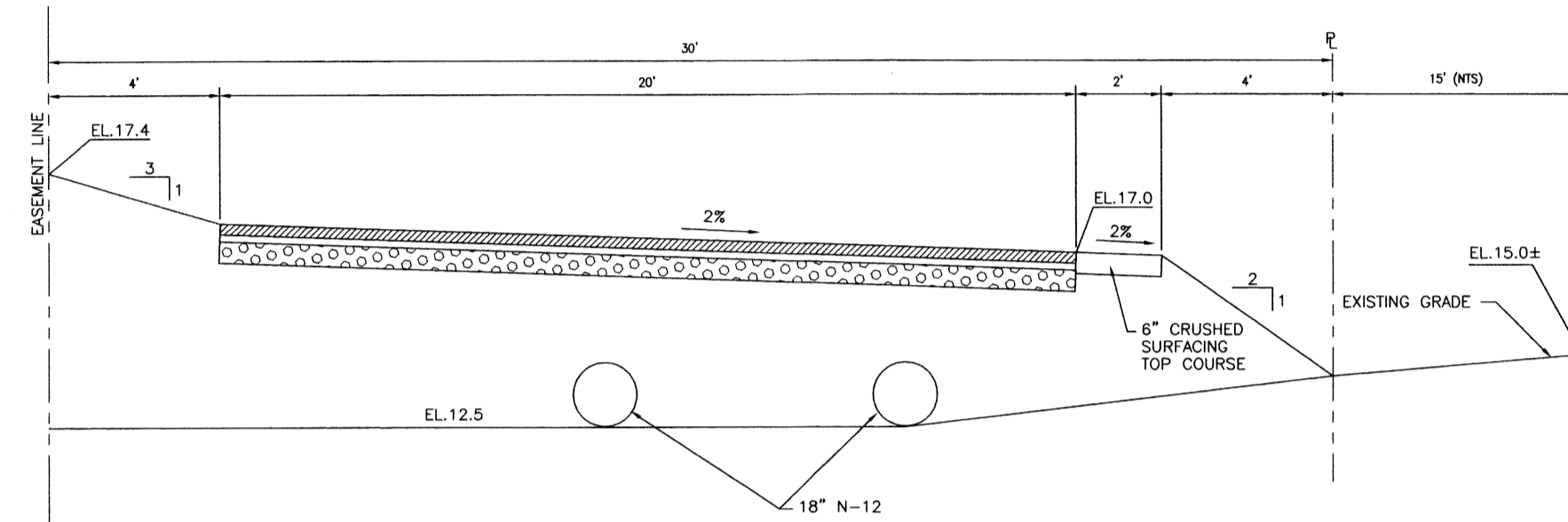
SECTION D - D
NO SCALE



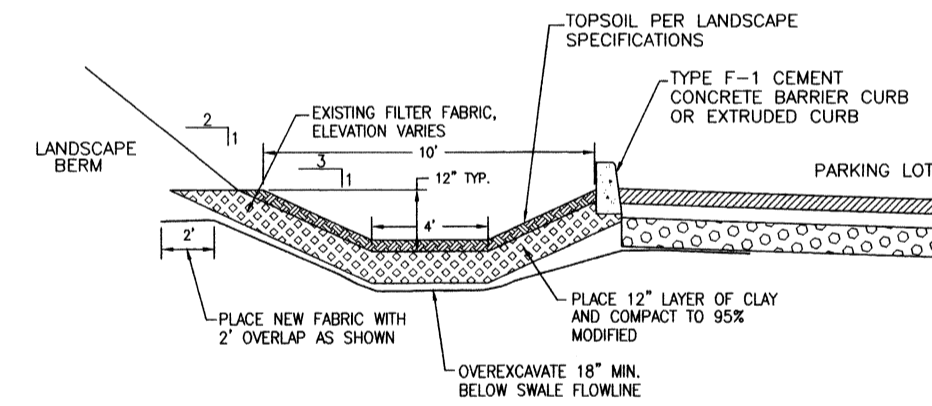
SECTION E - E
NO SCALE



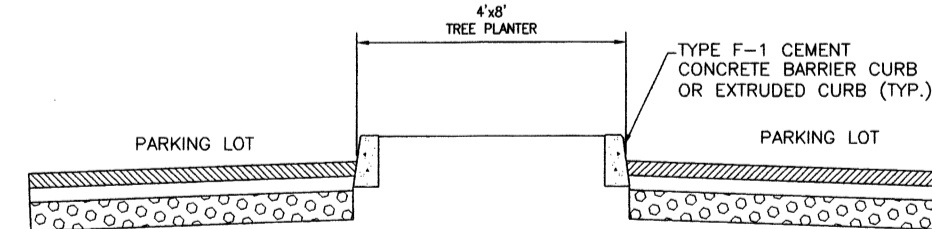
SECTION F - F
NO SCALE



SECTION G - G
NO SCALE



SECTION H - H
NO SCALE



SECTION I - I
NO SCALE

DESIGNED	DATE	BY
DRAWN	DATE	BY
CHECKED	DATE	BY
REVISIONS	DATE	BY

SCHMEMMER ENGINEERING INC.
 1004 COMMERCIAL AVENUE, SUITE 152
 ANACORTES, WA 98021-4183 (360) 293-1960

SUN SYSTEMS, INC.
 CROSS SECTIONS

JOB NO.	98-021
SHEET	C10
10	OF 11