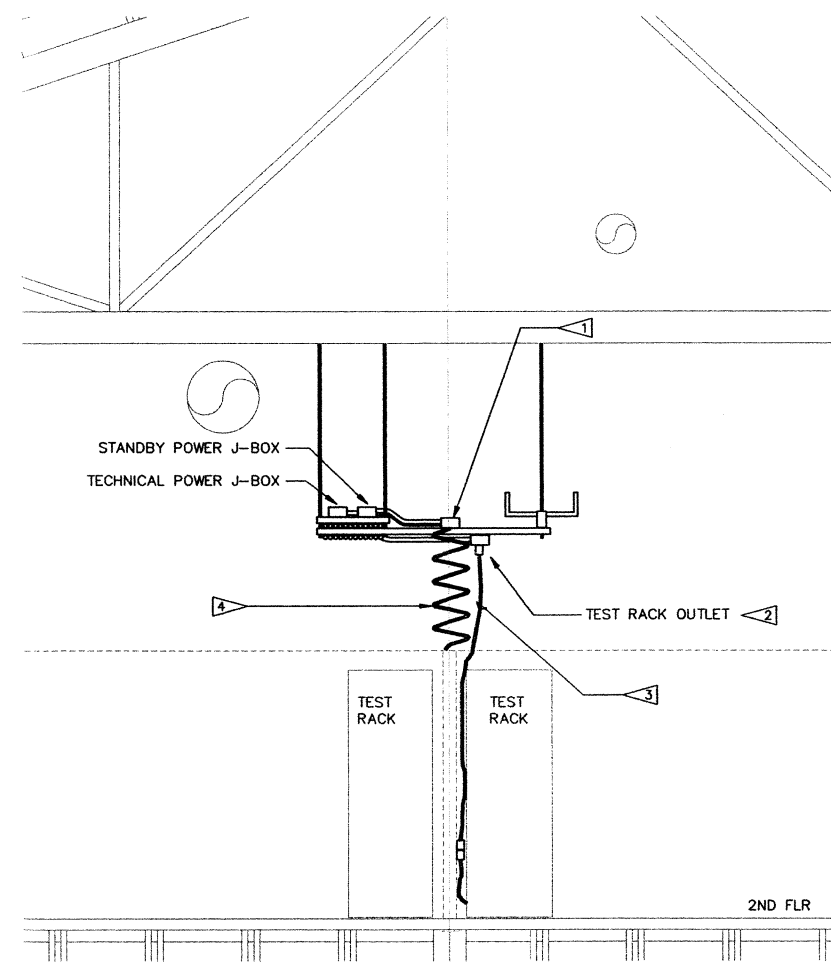
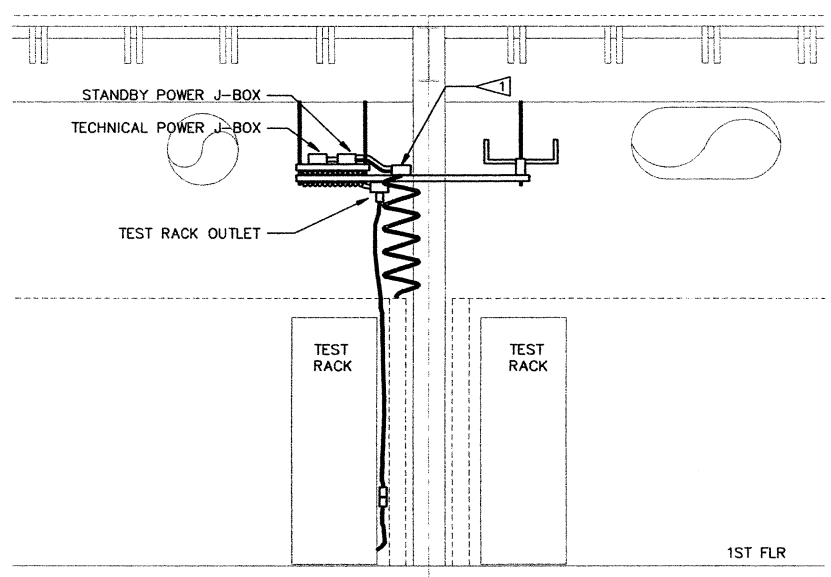


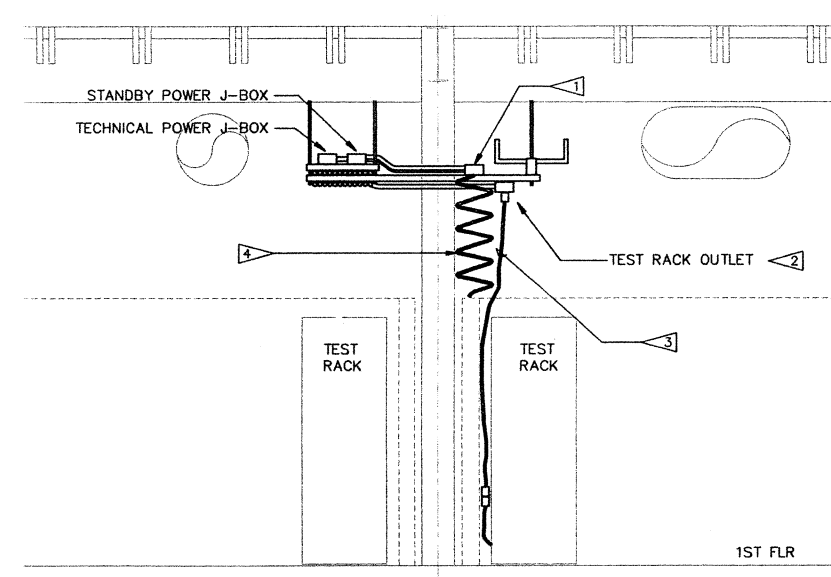
MODULAR FURNITURE DETAIL 'A2' - SECTION A2.2
SCALE: 1/2" = 1'-0"



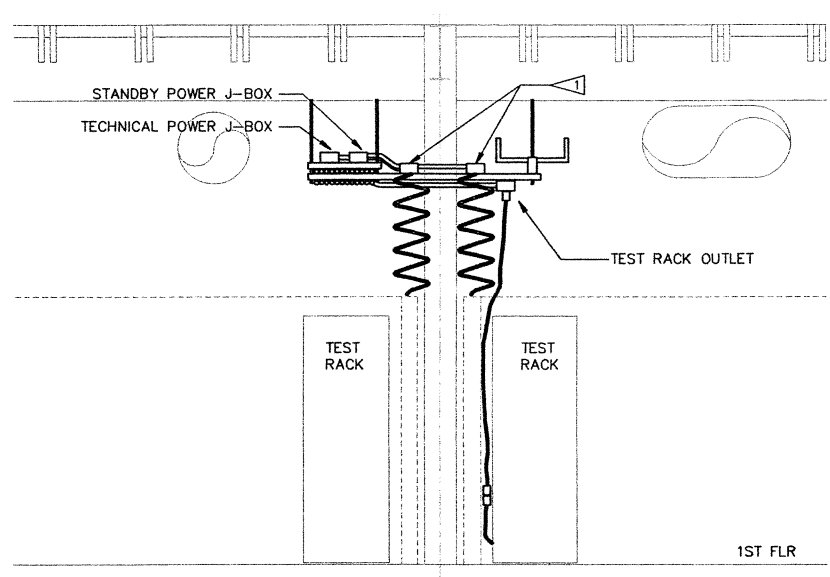
MODULAR FURNITURE DETAIL 'B2' - SECTION B2.2
SCALE: 1/2" = 1'-0"



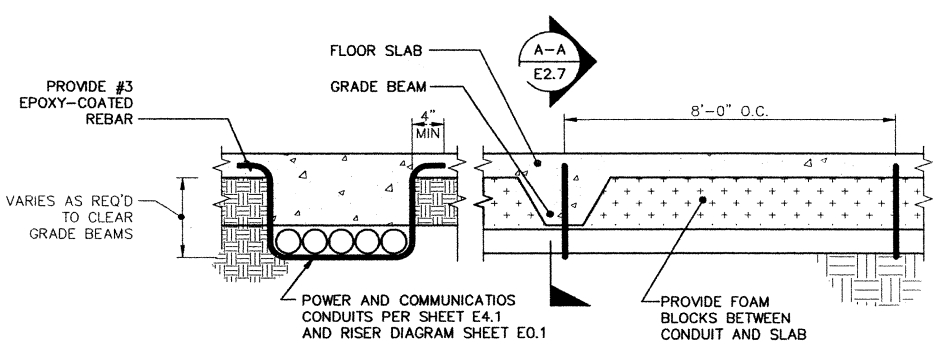
MODULAR FURNITURE DETAIL 'A1' - SECTION A1.2
SCALE: 1/2" = 1'-0"



MODULAR FURNITURE DETAIL 'B1' - SECTION B1.2
SCALE: 1/2" = 1'-0"



MODULAR FURNITURE DETAIL 'C' - SECTION C.2.1
SCALE: 1/2" = 1'-0"



SECTION 'A-A'
REBAR CONDUIT SUPPORT DETAIL D
SCALE: NTS E2.7/E4.1

FLAG NOTES:
 ▽ JUNCTION BOX FOR COMBINED TECHNICAL & STANDBY CIRCUITS AND FLEXIBLE DROPS TO MODULAR WORKSTATION.
 ▽
 ▽
 ▽

MITHUN PARTNERS
 ARCHITECTURE PLANNING & INTERIOR DESIGN
 414 OLIVE WAY SUITE 300 SEATTLE, WA 98101 (206) 463-5344 FAX(206) 463-7665

SPARLING
 ELECTRICAL ENGINEERING, LIGHTING DESIGN & TECHNOLOGY CONSULTING
 720 OLIVE WAY - SUITE 1100 SEATTLE, WA 98101-1853 FAX 206-667-0554 PHONE 206-667-0555

SUN HEALTHCARE SYSTEMS, INC.
 CAMPUS: PHASE ONE ANACORTES, WASHINGTON

1" = 8'-0"

5/18/99 CONST. SET

DOUG BORS
 PEOPLE & CONCEPTS
 BILL VAN VLACK, PE
 PROJECT MANAGER
 ED SANTOS
 PROJECT ENGINEER
 EOS
 DRAWN
 CHECKED



ELECTRICAL DETAILS

98060
 SHEET PROJECT NO.
 FEBRUARY 9, 1999
 DATE
 7651
 SHEET PROJECT NO.
 AS NOTED
 SCALE

CONSTRUCTION SET **E2.7**

S:\P051\W051899\CA00\027.JWG MAY 15, 1999 - 12:41:04 PM DT: LLS