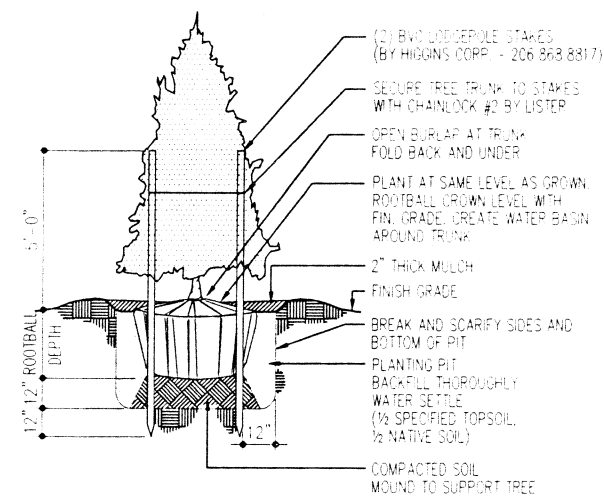
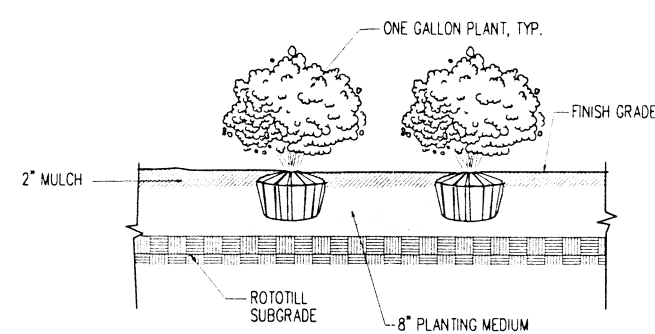


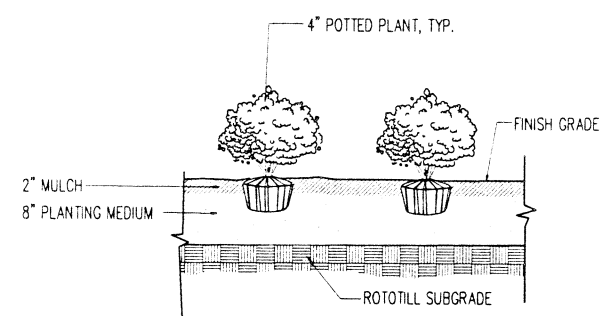
1 TYP. DECIDUOUS TREE PLANTING DETAIL
NO SCALE



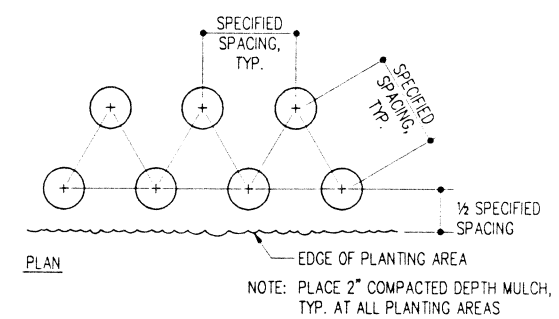
2 TYP. CONIFEROUS TREE PLANTING DETAIL
NO SCALE



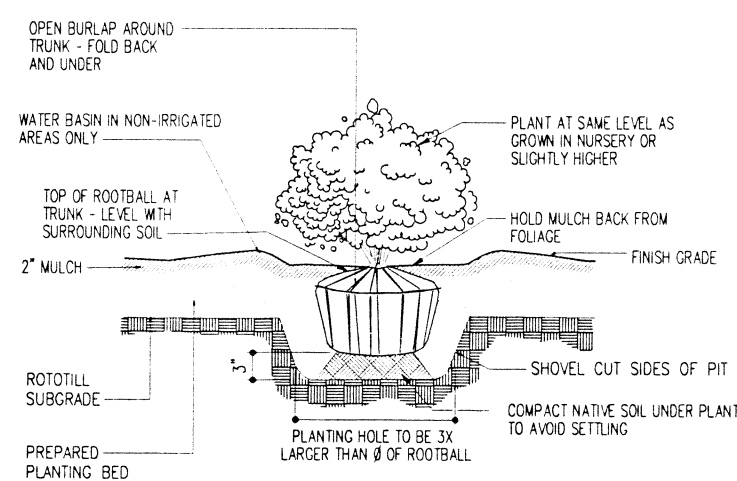
3 #1 CONTAINER PLANT'G DETAIL
NO SCALE



4 TYP. 4\"/>



5 TYP. SHRUB/GROUNDCOVER LAYOUT
NO SCALE



6 TYP. CONT./B&B SHRUB PLANT'G DETAIL
NO SCALE

SCIENTIFIC/Common Name	SIZE/REMARKS
GLEDITSIA TRIACANTHOS 'HALKA' HALKA HONEYLOCUST	3\"/>
ROBINIA PSEUDOACACIA 'PURPLE ROBE' PURPLE ROBE LOCUST	1.5\"/>
CALOCEDRUS DECURRENS INCENSE CEDAR	6\"/>
PINUS CONTORTA var. CONTORTA SHORE PINE	5\"/>
RHUS TYPHINA STAGHORN SUMAC	6\"/>
ARBUTUS UNEDO 'COMPACTA' STRAWBERRY TREE	#5 CONTAINER
CEANOTHUS 'JULIA PHELPS' WILD LILAC	#5 CONTAINER
CISTUS CORBARIENSIS WHITE ROCKROSE	#1 CONTAINER
FRAGARIA CHILGONENSIS WILD STRAWBERRY	4\"/>
LAVANDULA ANGUSTIFOLIA 'MUNSTEAD' MUNSTEAD LAVENDER	#1 CONTAINER
MISCANTHUS SINENSIS 'YAKU JIMA' DWARF MAIDEN GRASS	#1 CONTAINER, VIGOROUS ESTABLISHED CLUMPS
MYRICA CALIFORNICA PACIFIC WAX MYRTLE	#5 CONTAINER
PINUS MUGO var. MUGO MUGO PINE	15\"/>
POTENTILLA FRUITICOSA 'ABBOTSWOOD' ABBOTSWOOD BUSH CINQUEFOIL	#1 CONTAINER
RHUS GLABRA SMOOTH SUMAC	#5 CONTAINER, 3-5 STEMS, 30\"/>
ROSA RUGOSA SEA TOMATO	#1 CONTAINER, 65% PINK/35% WHITE, MIX RANDOMLY
ROSMARINUS O. 'TUSCAN BLUE' ROSEMARY	#5 CONTAINER
SPIRAEA DOUGLASHI HARDHACK SPIRAEA	#1 CONTAINER
NO SYMBOL THYMUS SERPYLLUM CREEPING THYME	2\"/>
VIBURNUM DAVIDII DAVIDS VIBURNUM	#1 CONTAINER
AMMOPHILA ARENARIA BEACHGRASS	HEALTHY, VIGOROUS CULMS GROWN IN COMMERCIAL NURSERY, 3 PER HOLE, HOLES AT 15\"/>
(C) BIOSWALE SEEDING	APPLICATION RATE: 6 LBS/1000 SF SEED MIX: 40% DWARF TALL FESCUE 30% PERENNIAL RYE GRASS 25% CREEPING RED FESCUE 5% BIRDFOOT TREFLOIL
(B) LAWN SEEDING	APPLICATION RATE: 6 LBS/1000 SF SEED MIX: 34% TIFFANY CHEWINGS FESCUE 33% NORDIC HARD FESCUE 33% FENWAY RED FESCUE
(A) EROSION CONTROL SEEDING	APPLICATION RATE: 20 LBS/ACRE SEED MIX: 12.5% FESTUCA DIVINA 12.5% CHRYSANTHEMUM MAXIMUM 37.5% ESCHOLZIA CALIFORNICA 37.5% LUPINUS PERENNIS



SUN HEALTHCARE SYSTEMS, INC.

CAMPUS: PHASE ONE

ANACORTES, WASHINGTON

DATE	REVISION
1	6/15/99

