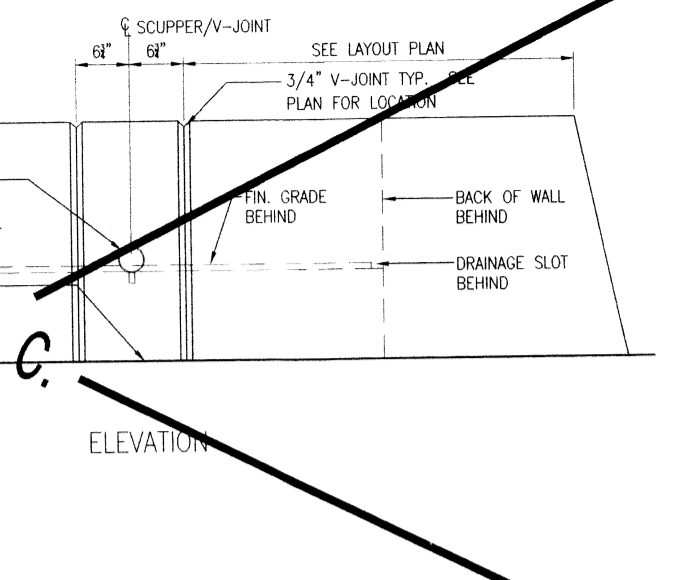
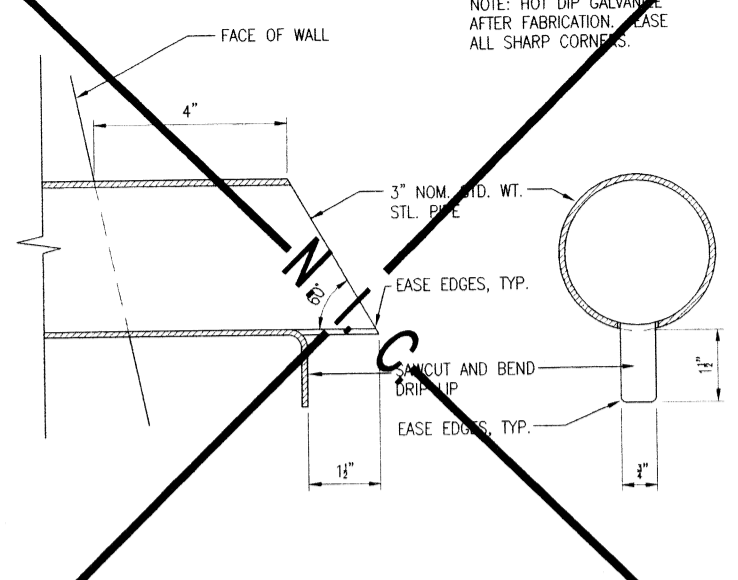


1 BATTERED CONCRETE WALL
SCALE: 1" = 1'-0"

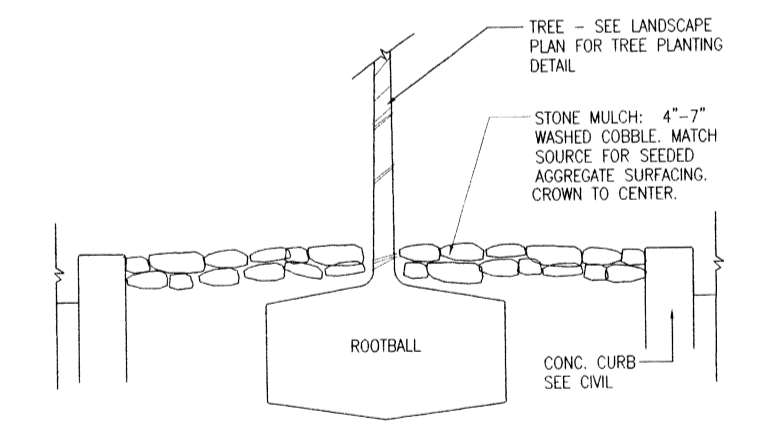


2 SCUPPER
SCALE: 1" = 1/2'

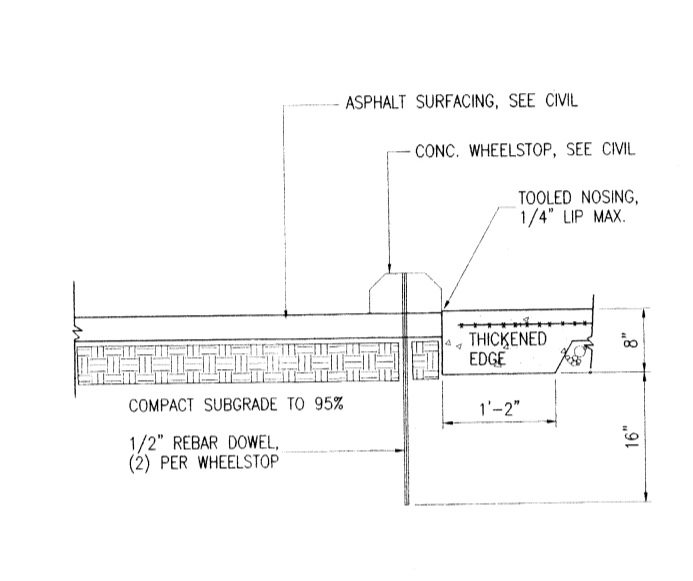


3 ACCESSIBLE PARKING SIGN
SCALE: 1/2" = 1'-0"

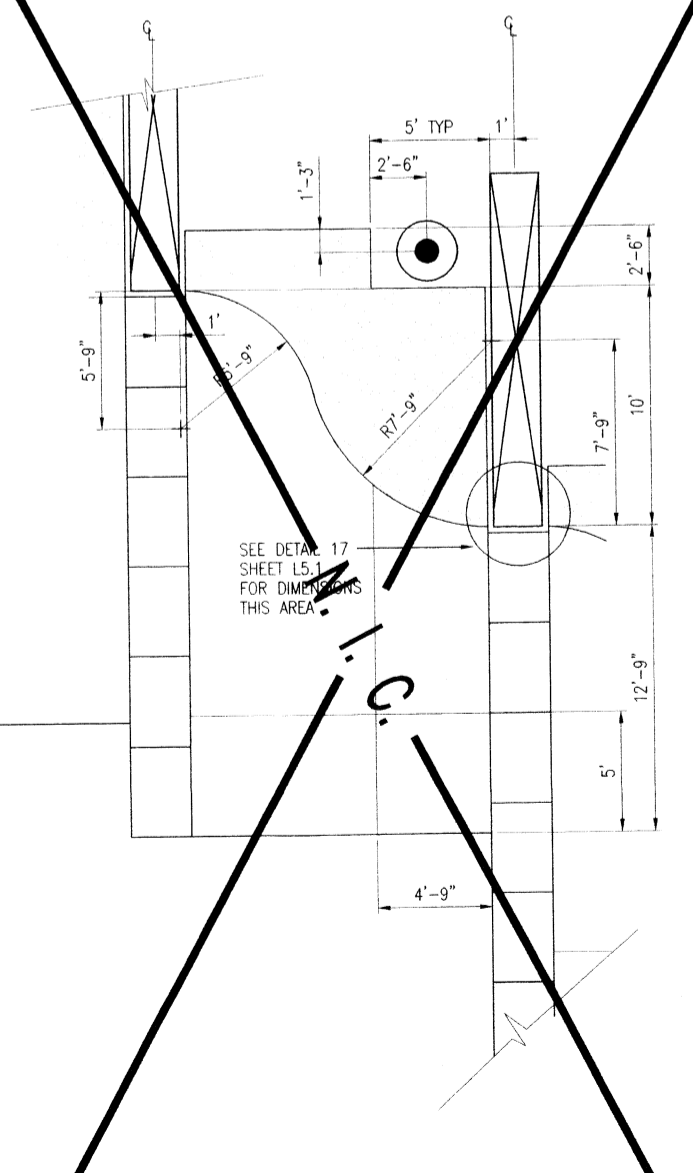
4 ACCESSIBLE STALL EDGE
SCALE: 1" = 1'-0"
TYP. SECTION



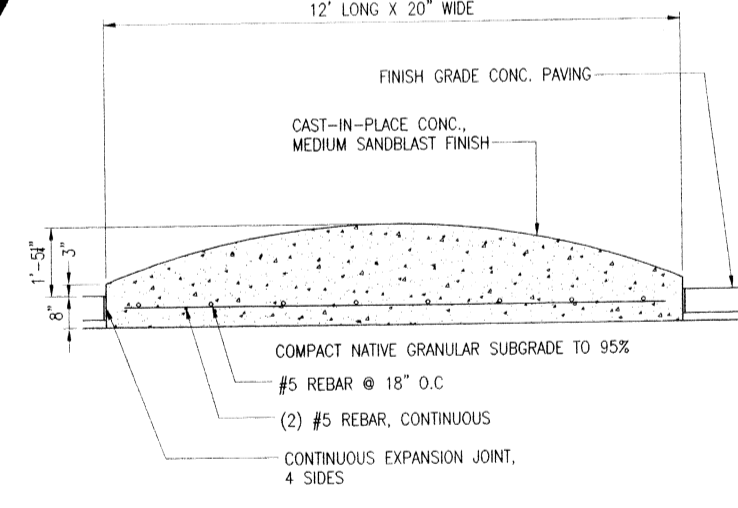
7 TREE PLANTER
SCALE: 1" = 1'-0"
SECTION



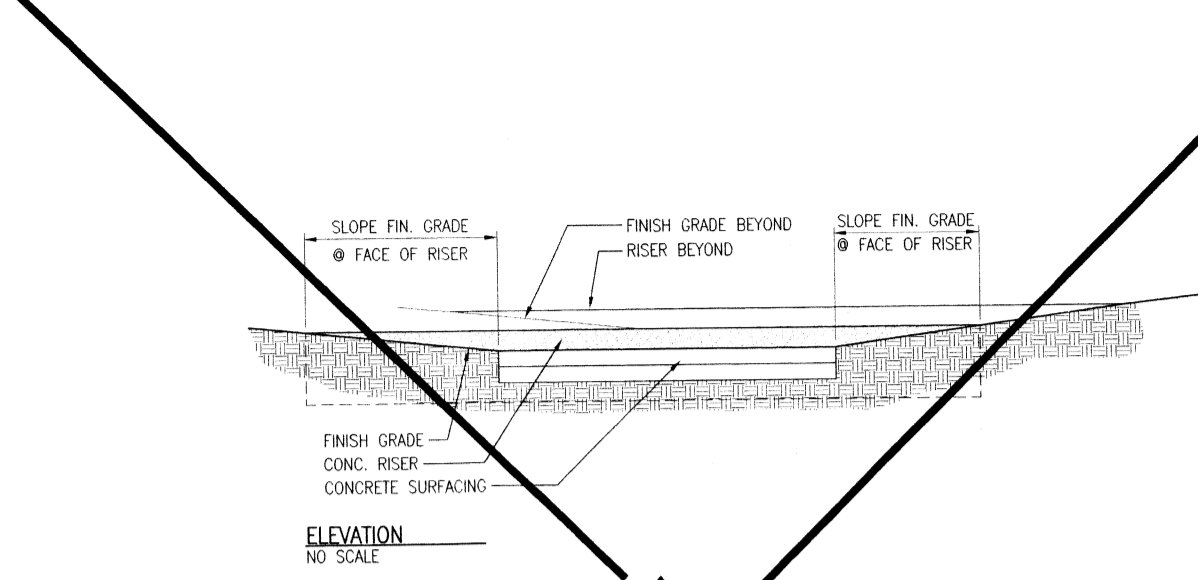
5 TRENCH DRAIN/BAMBOO PLANTER
SCALE: 1" = 1'-0"
SECTION



8 ENLARGED DIMENSION PLAN
SCALE: 1/4" = 1'-0"



9 CAST CONCRETE CURB
SCALE: 1/2" = 1'-0"



6 TYP. PLAN @ STEPPED WALK
SCALE: 1/4" = 1'-0"

NO.	DATE	REVISION

DR	
PARTNER IN CHARGE	
PROJECT MANAGER	
PROJECT ARCHITECT	
DRAWN	
DR/AS	
CHECK	

Atelier ps
ARCHITECTURE
PLANNING & INTERIOR DESIGN
214 OLIVER WAY
SUITE 200
BOULDER, CO 80501
(303) 442-3144
FAX (303) 442-7600

NO.	DATE	REVISION

98060.00
PROJECT NO.
MAY 18, 1999
DATE