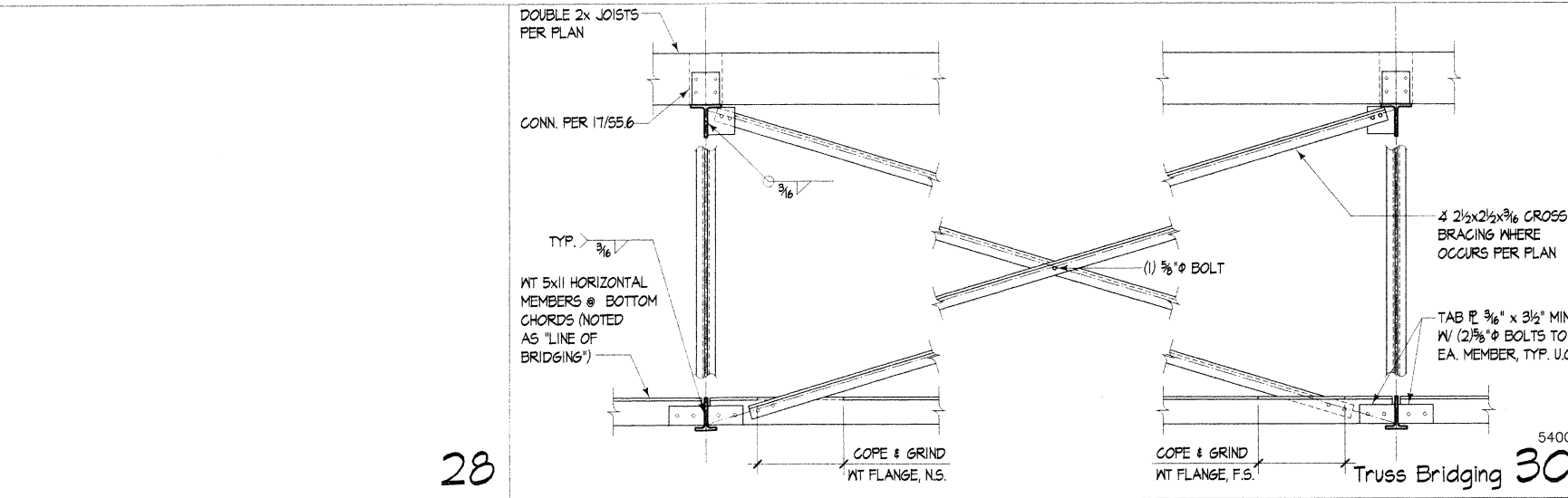
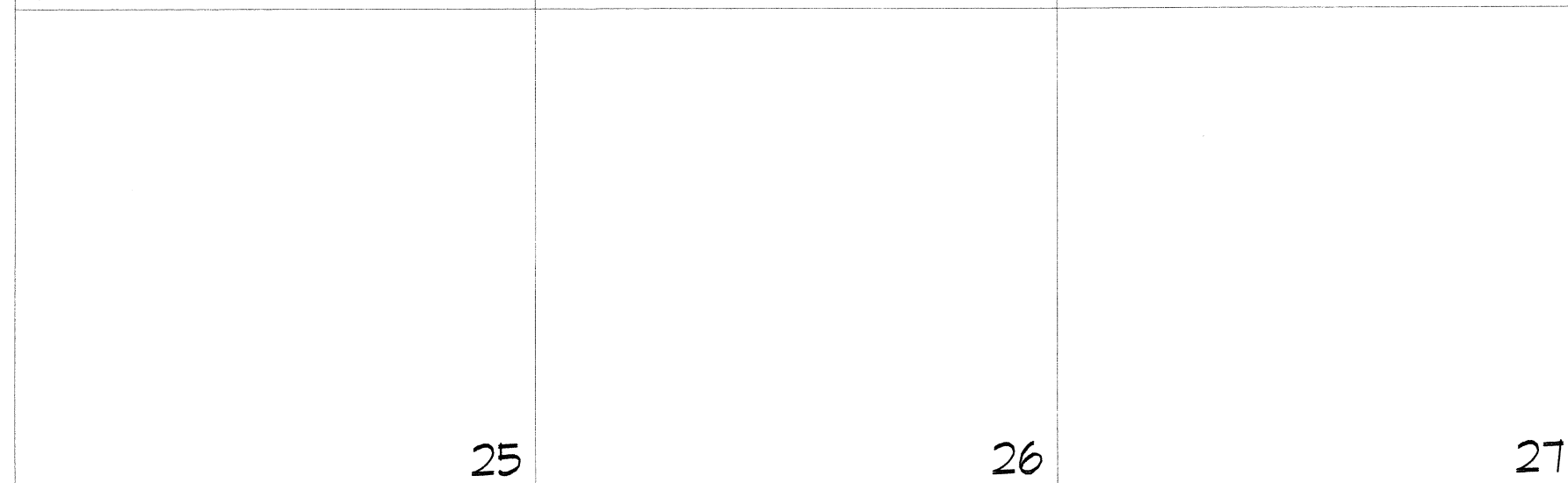
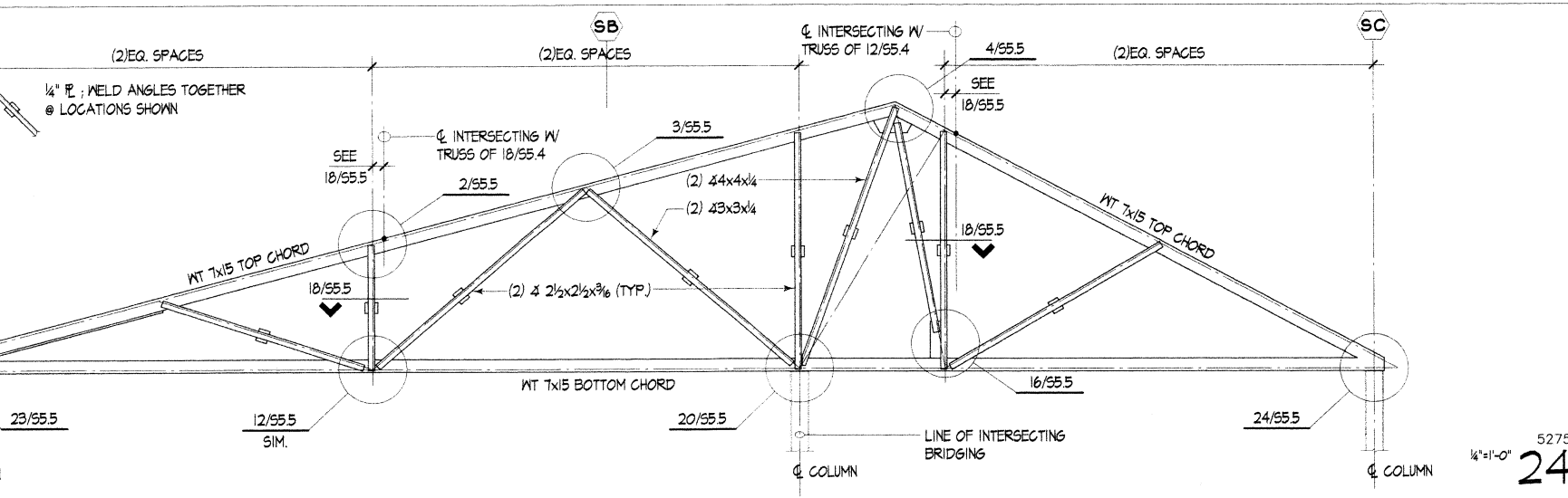
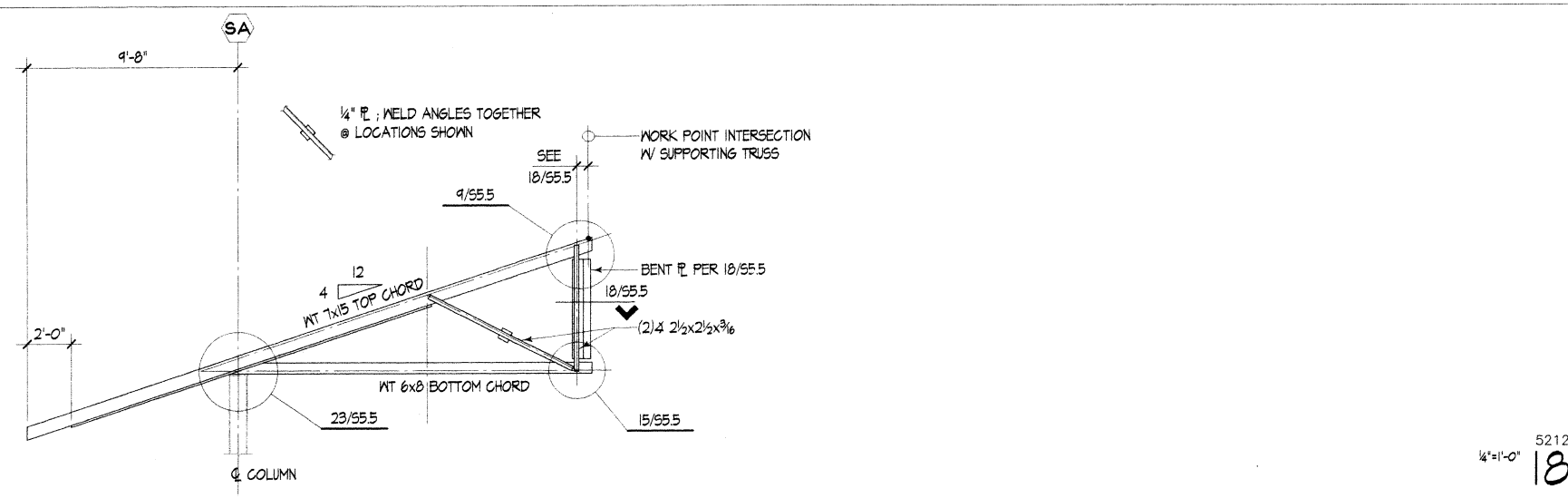
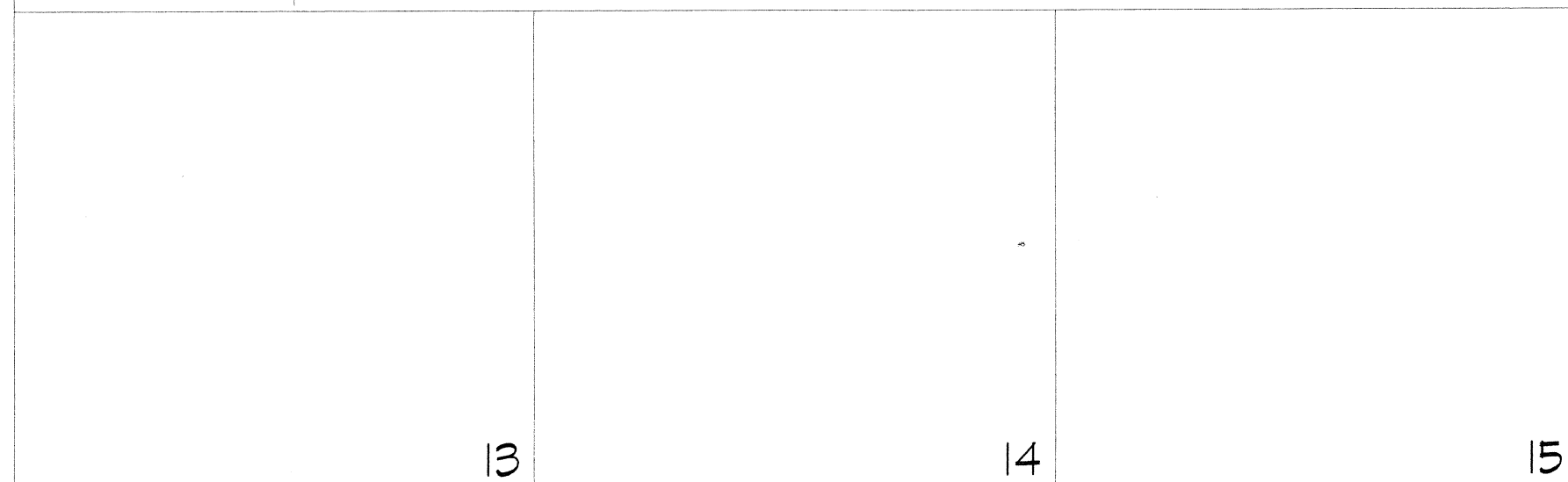
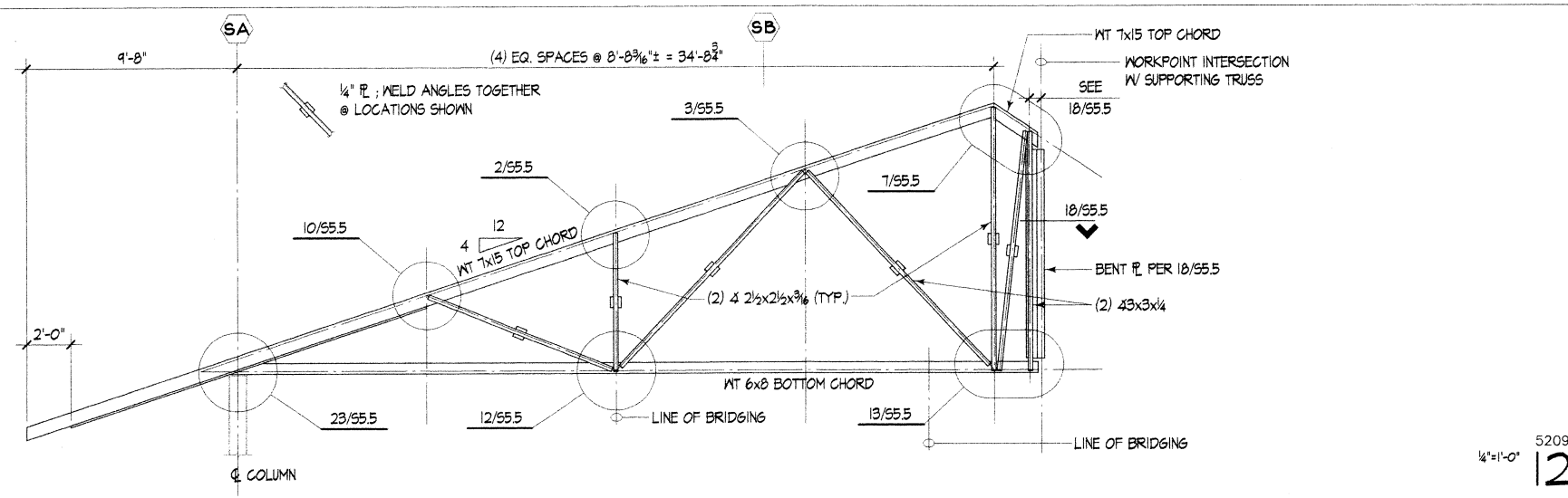
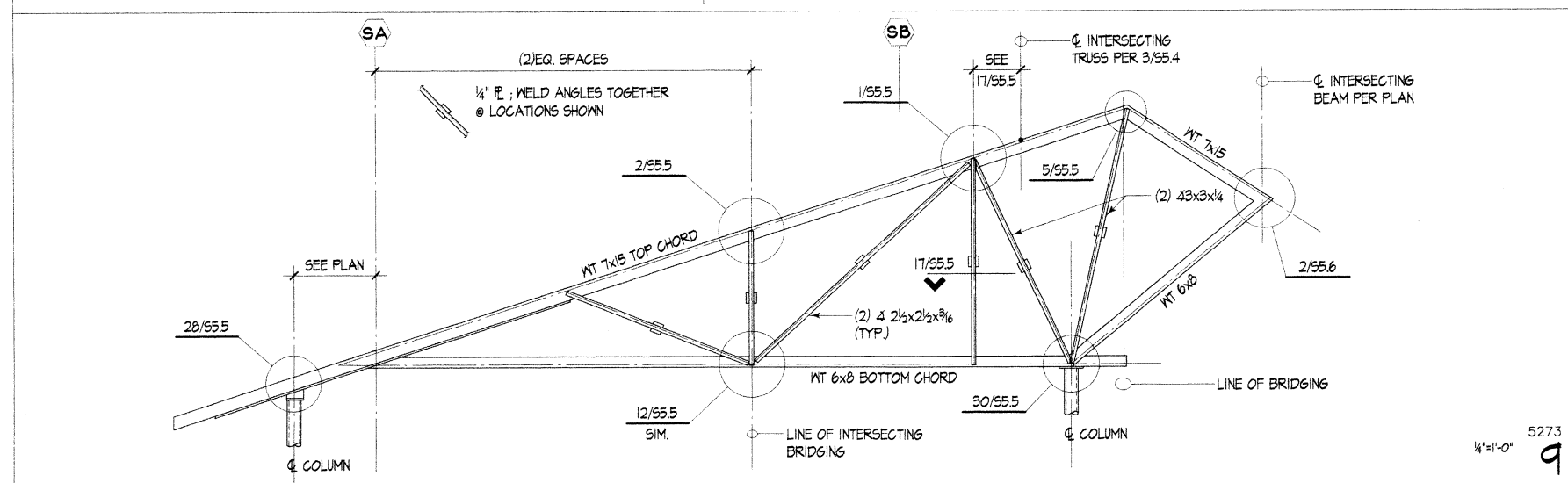
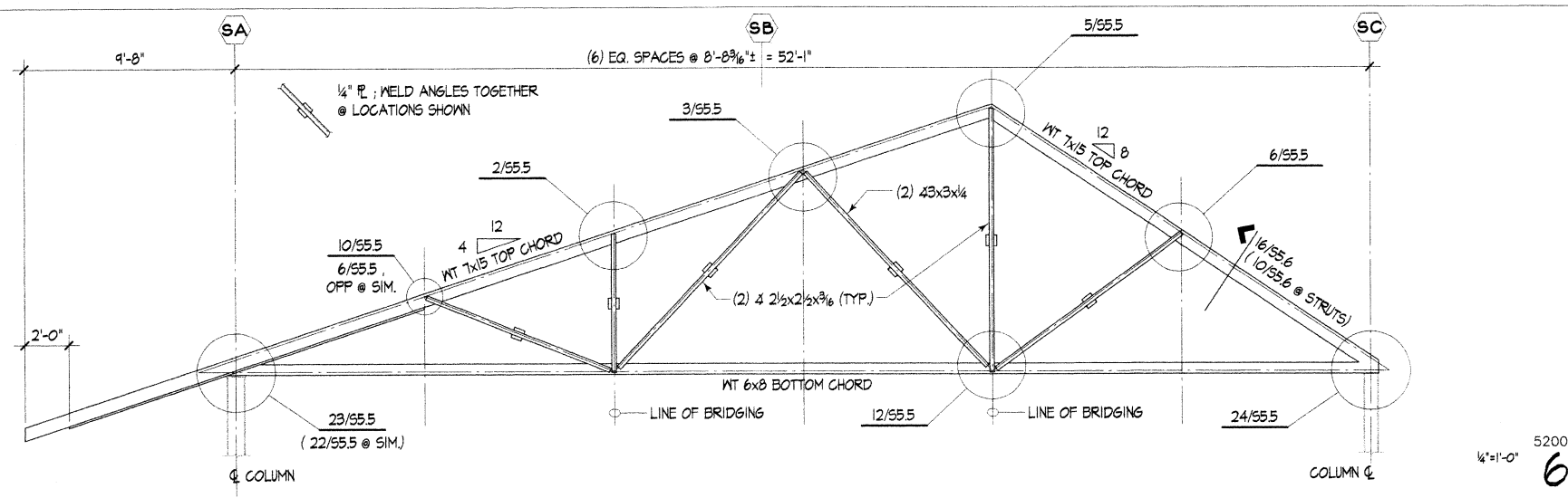
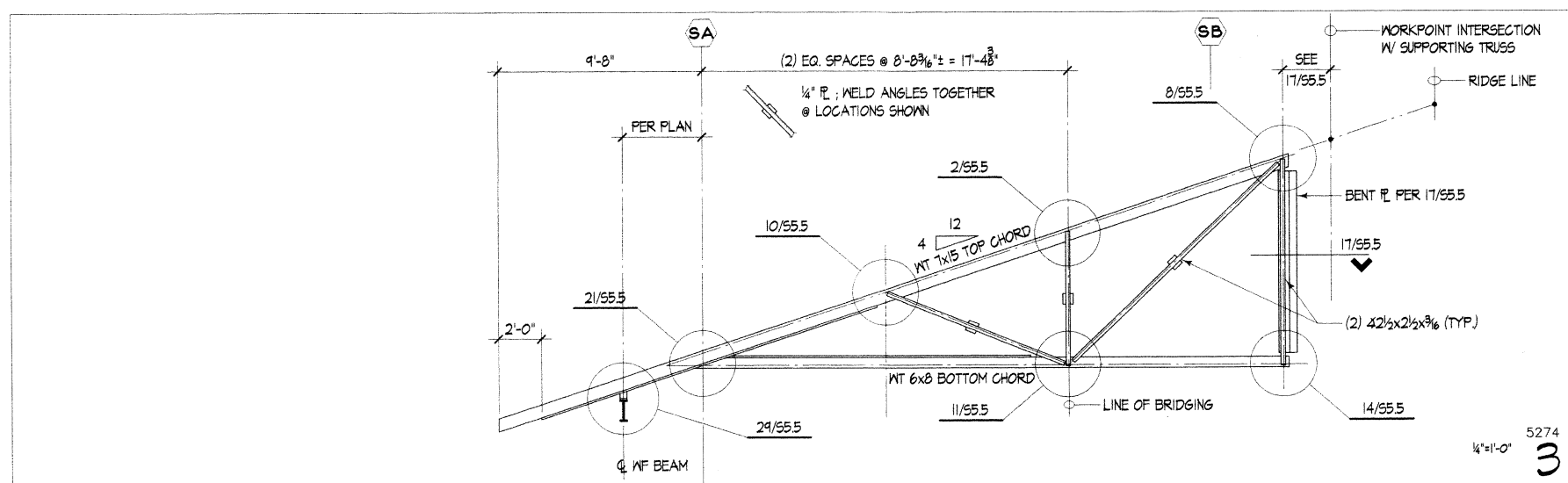




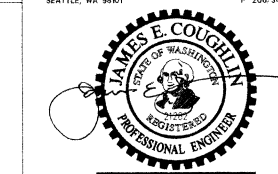
SUN HEALTHCARE SYSTEMS, INC.
CAMPUS: PHASE ONE
ANACORTES, WASHINGTON



DATE: 5/18/99
CONSTR. SET

JEC
PARTNER IN CHARGE
B.T.L.
PROJECT MANAGER
C.S.D.
PROJECT ENGINEER
H.R.B.
DRAWN
J.E.C.
CHECKED

COUGHLIN PORTER LUNDEEN
A CONSULTING STRUCTURAL AND CIVIL ENGINEERING CORPORATION
217 PINE STREET SUITE 200
SEATTLE, WA 98101
P. 206-342-5400
F. 206-342-5800



OFFICE BUILDING
TRUSS ELEVATIONS

98-0027-04
MAY 18, 1999

S5.4 CONSTRUCTION SET

Project: SUN HEALTHCARE ANACORTES/07/95 File: S5-5400.dwg Date: 05/18/99 08:48:59 User: JEC Plot: S5-5400.dwg